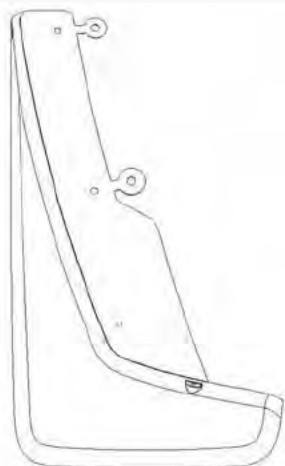


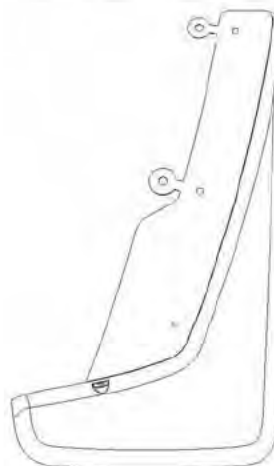


# Dodge Durango

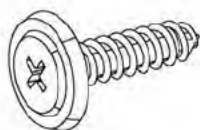
## FRONT MOLDED SPLASH GUARDS



A

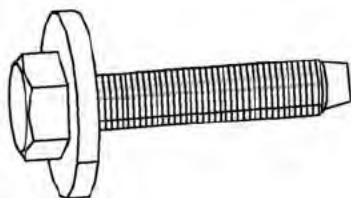


B



C

x4



D

x4



E

x4



F



10 mm



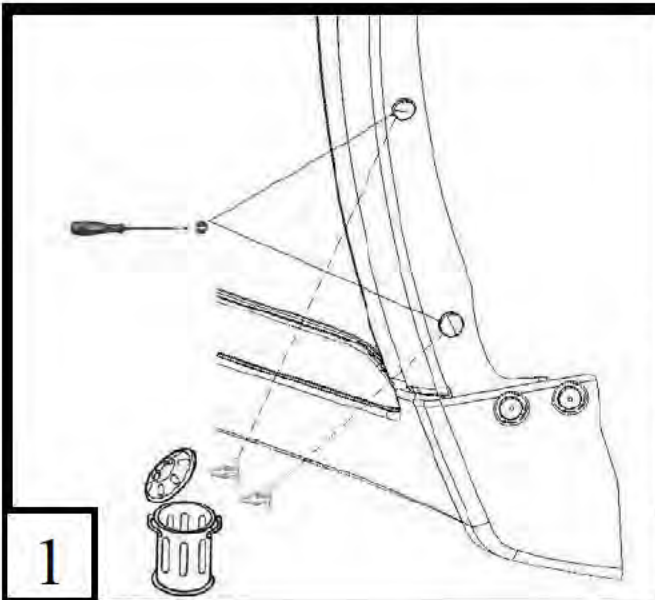
G



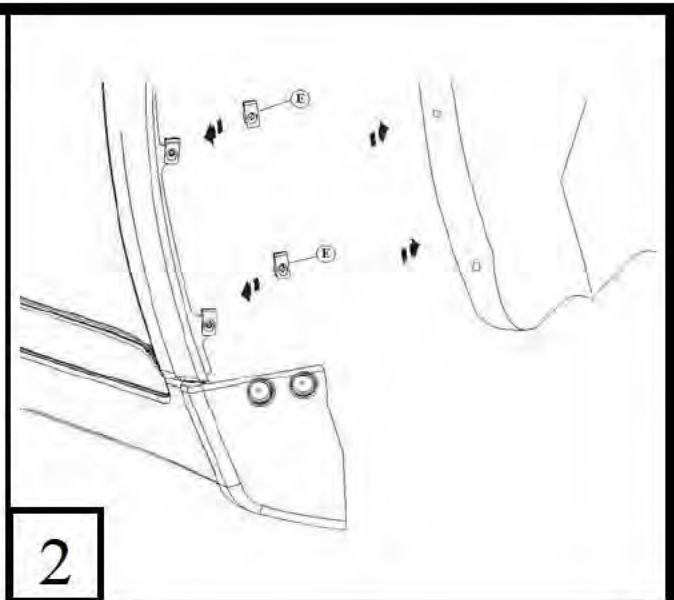
H

3/32"

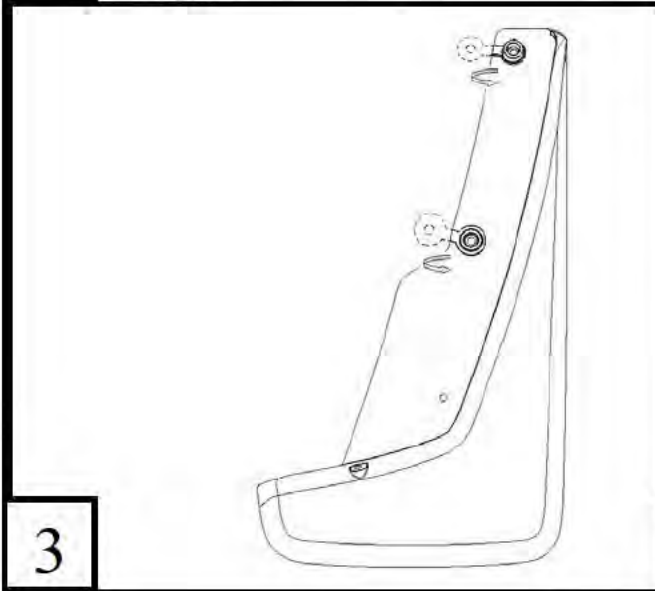
NOT INTENDED FOR OFF-ROAD USE



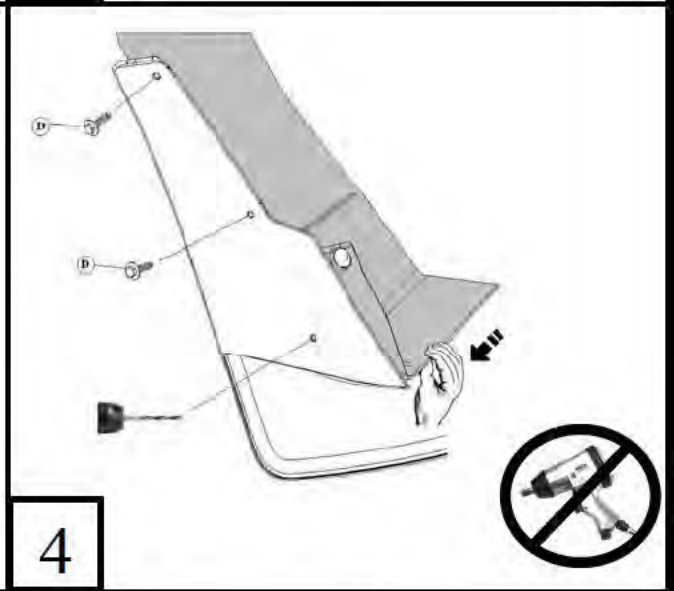
1



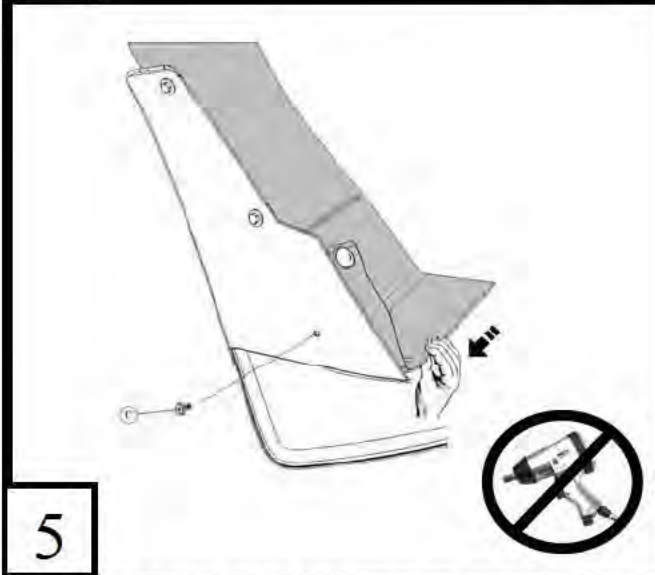
2



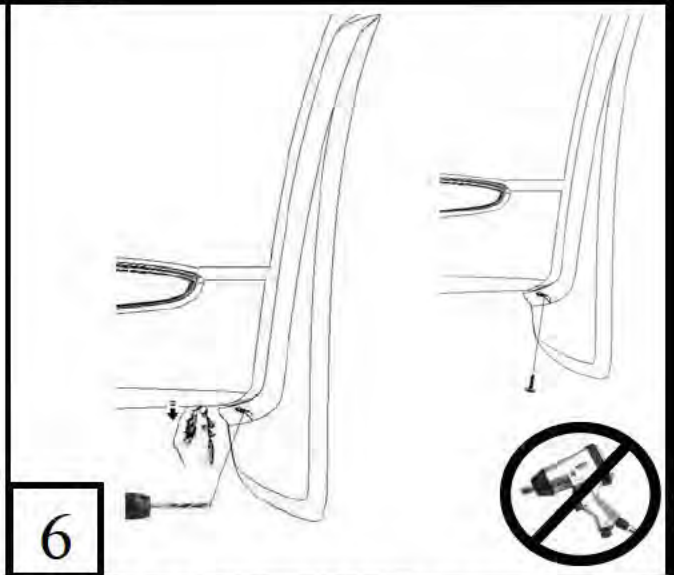
3



4



5



6

DO NOT USE POWER SCREWDRIVER TO TIGHTEN SCREWS. DO NOT OVERTIGHTEN (2 lb-in MAX)  
 NE PAS UTILISER DE TOURNEVIS ELECTRIQUE POUR SERRER LES VIS. PAS TROP SERRER.  
 NO USAR DASARMADOR ELECTRICO PARA APRETAR LOS TORNILLOS. NO FORZAR.