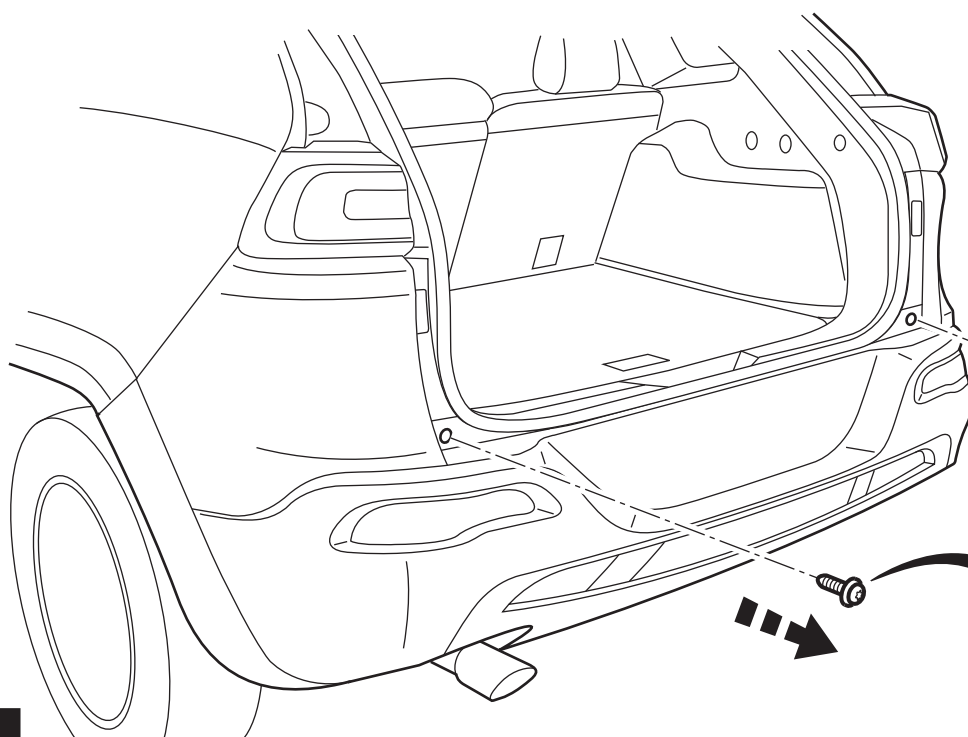
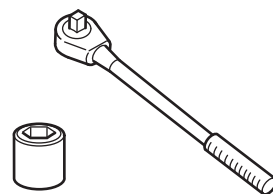
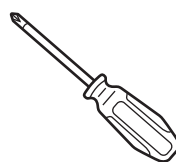
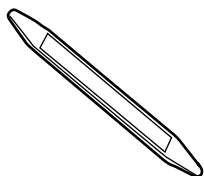
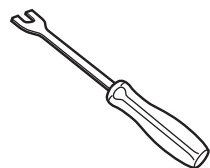
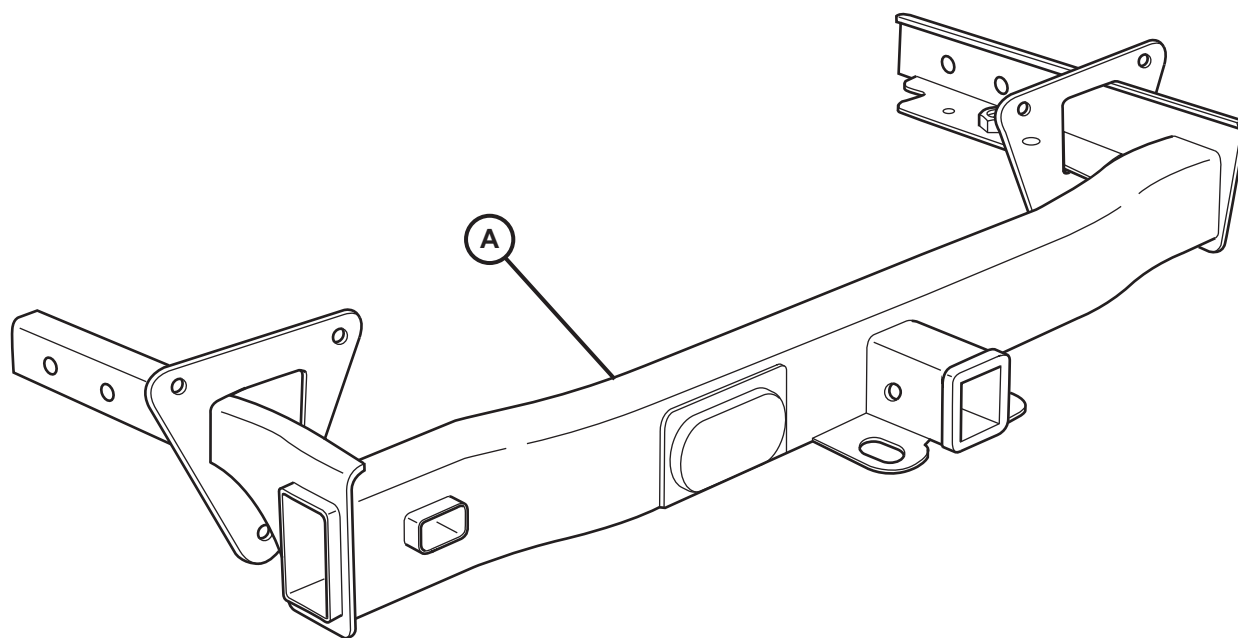


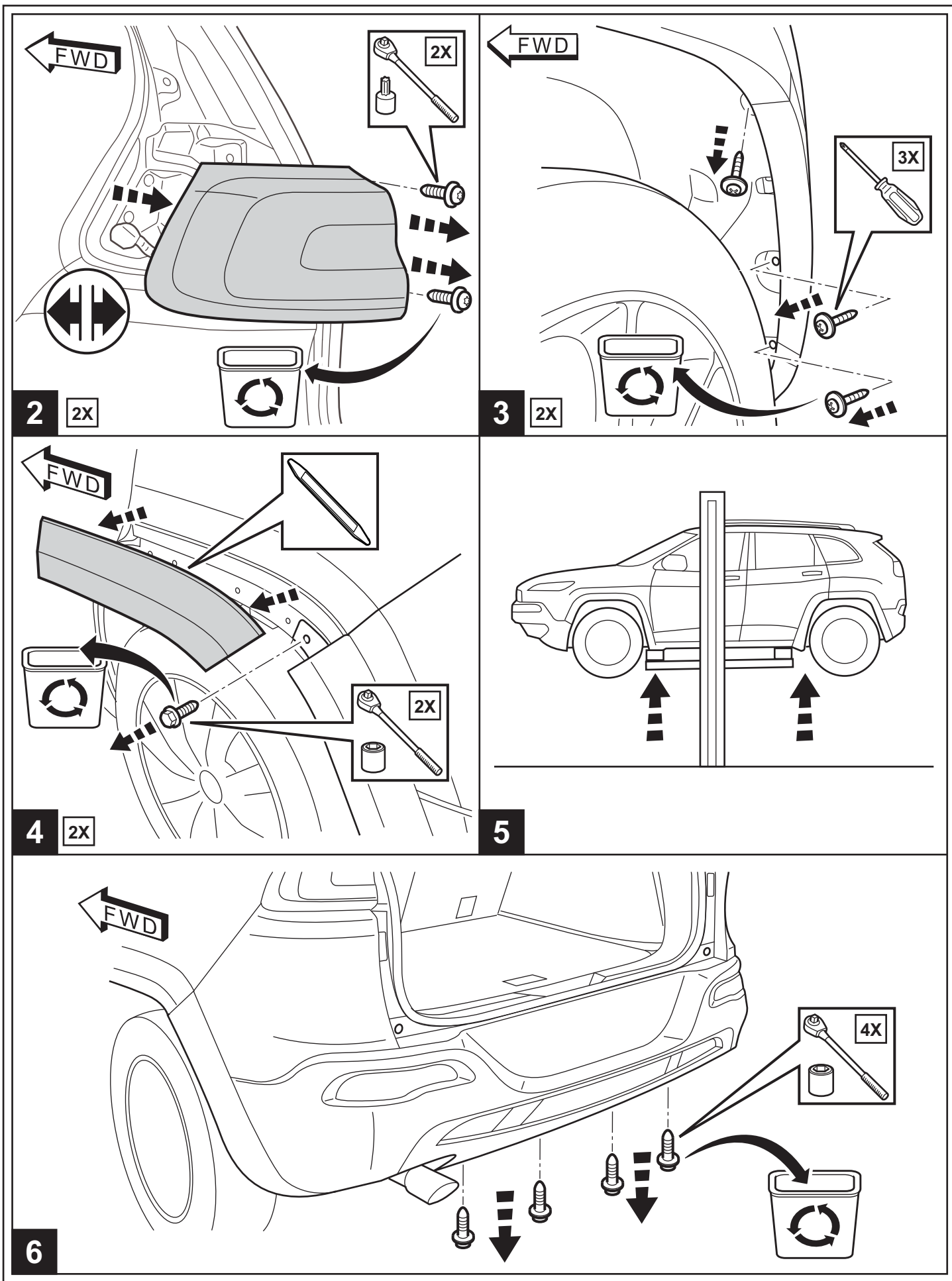


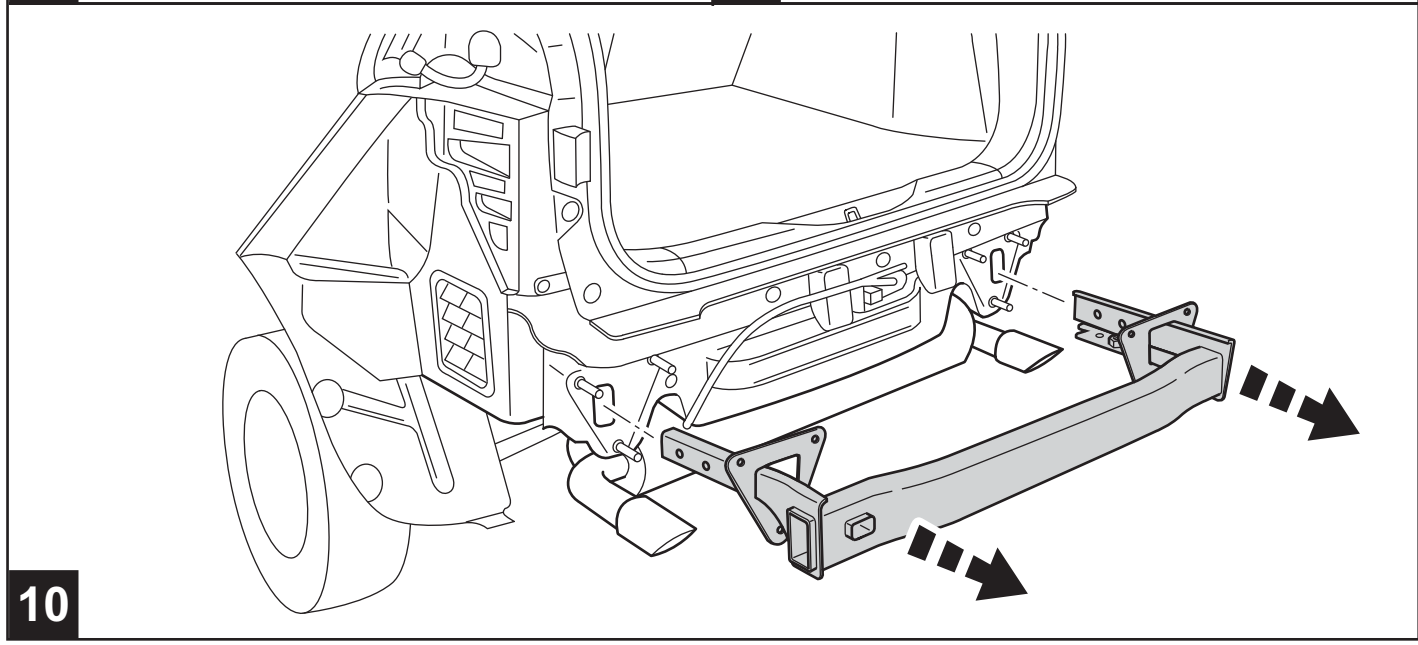
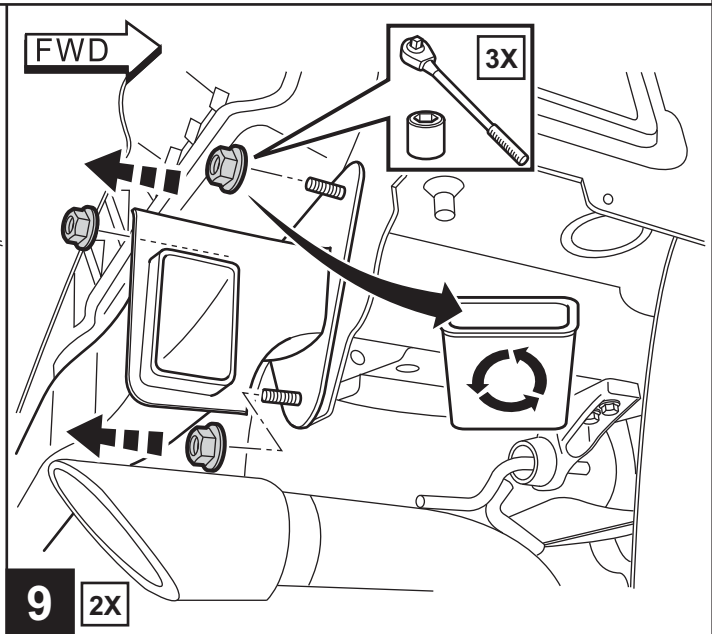
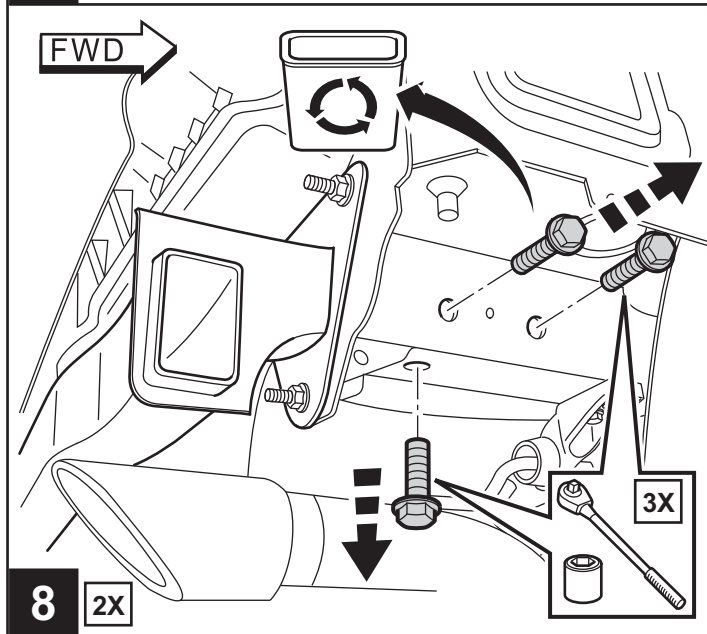
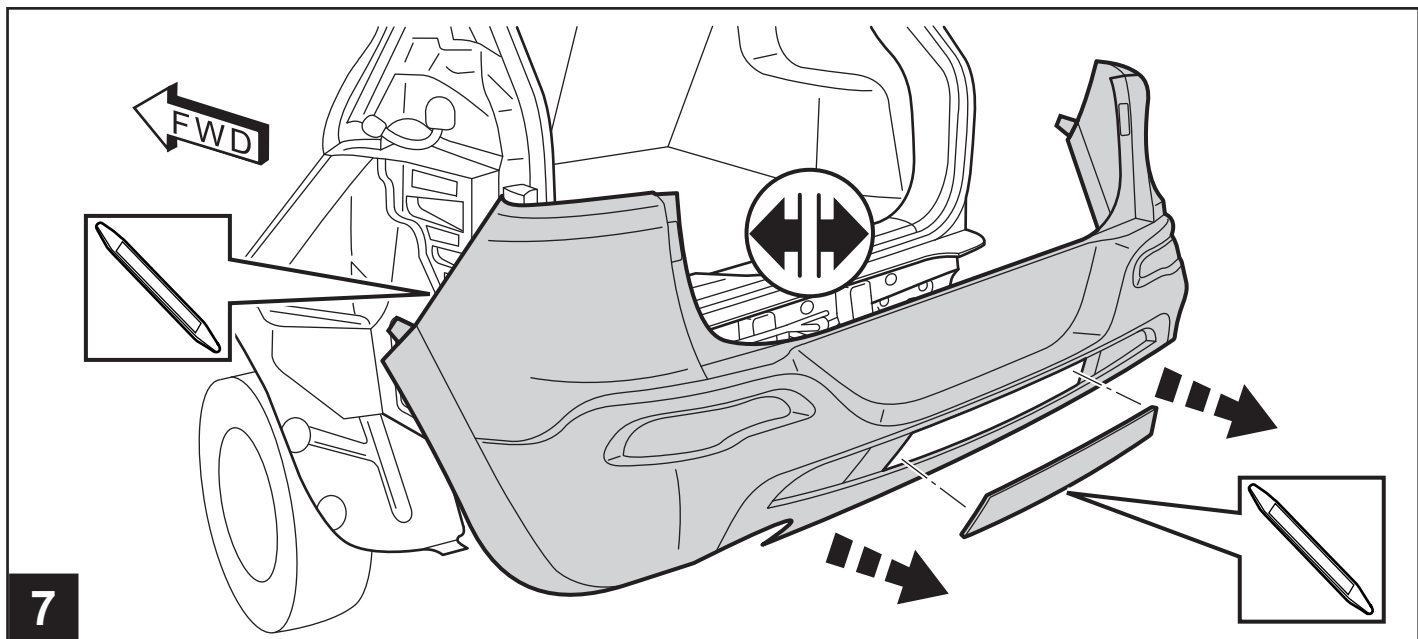
TRAILER HITCH

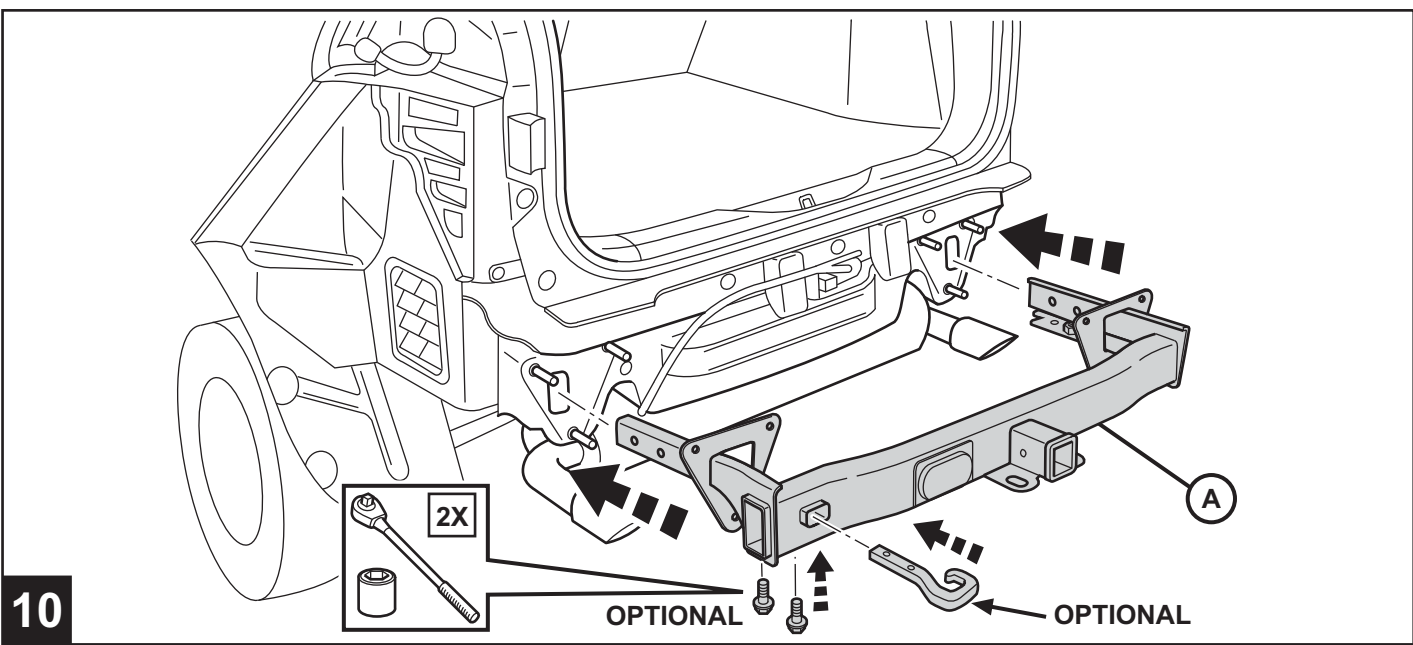
www.mopar.com



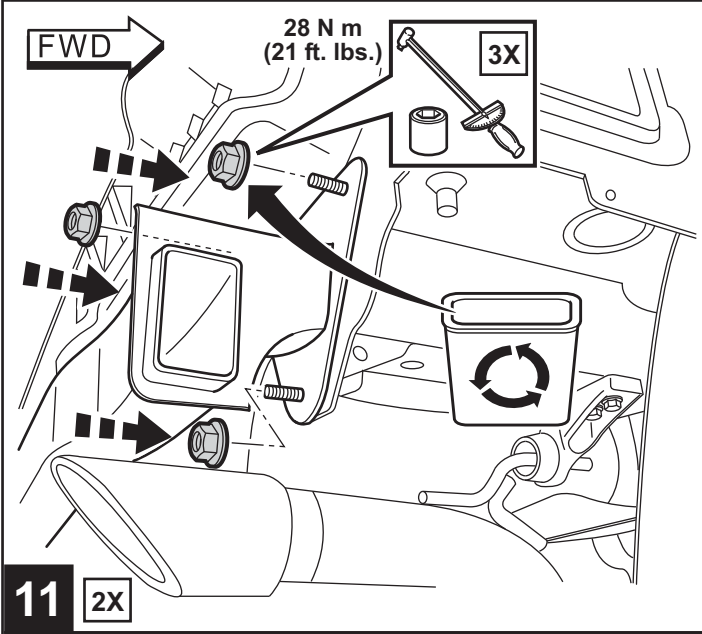
1





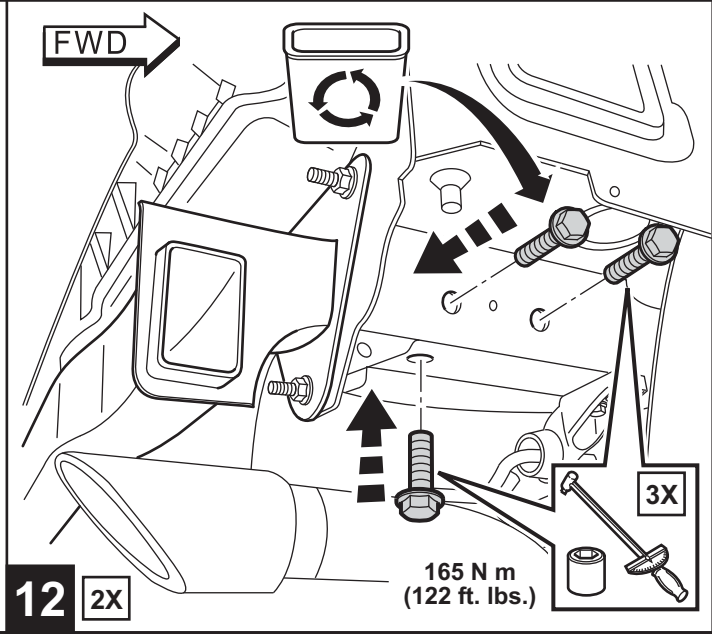


10



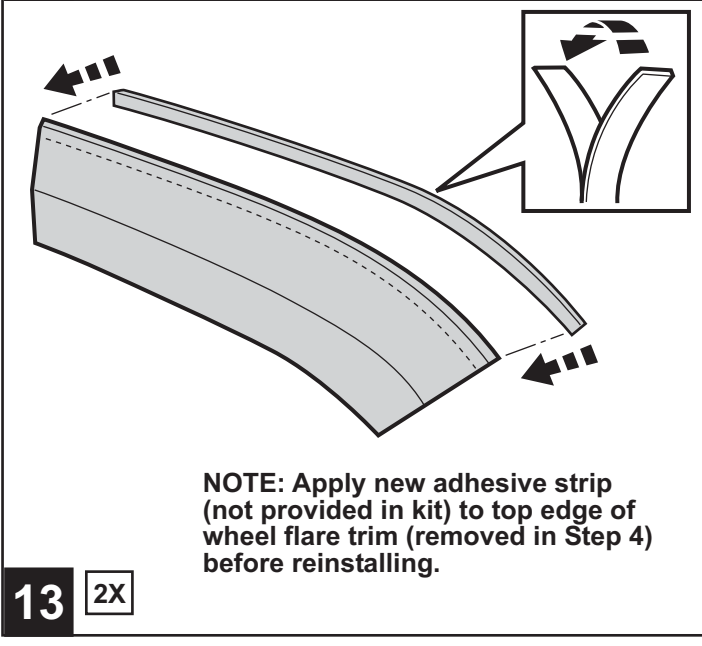
11

2X



12

2X



13

2X

NOTE: Apply new adhesive strip (not provided in kit) to top edge of wheel flare trim (removed in Step 4) before reinstalling.

REVERSE STEPS 1 THROUGH 7 TO REINSTALL REAR FASCIA AND ALL OTHER BODY COMPONENTS.

14