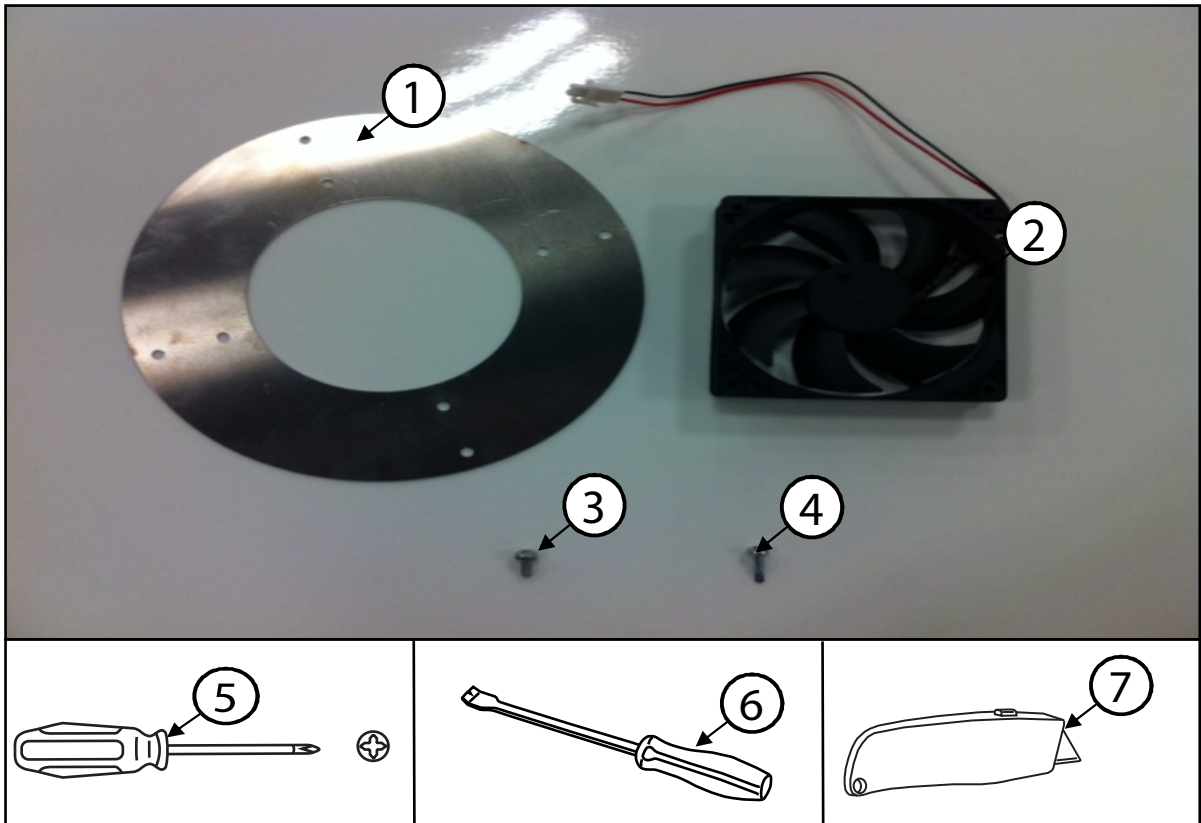




Trunk Fan

DODGE CHARGER



Included		
Item	Qty	Description
1	1	Cooling Fan Bracket
2	1	Cooling fan
3	4	M5 x 0.8 x 20 Flange Bolt
4	4	M5 x 0.8 x 12 Phillips Screw
5	1	Phillips Screw Driver
6	1	Pry Tool
7	1	Utility knife
Tools required		

1. The arrow on the side of the fan must face down. See Fig. 1
2. Place (item 1) the Cooling Fan Bracket on the back side of the (item 2) Cooling Fan, and mount the bracket to the fan using the M5 Phillip screws (item 4). See Fig. 2.
3. Open the trunk, using the pry tool, remove the seven push pins under in the rear shelf trim (keep push pins for reinstall). See Fig. 3.
4. Place new Fan/Bracket assembly up in the rear shelf trim, locate existing mounting speaker holes in vehicle. See Fig. 4
5. Using the M5 Flange bolts (item 3) mount the assembly under the rear window deck lid. Torque 2.5 Nm. See Fig. 5.
6. Connect fan connector to main harness fan connector (Main harness p/n (82214673A\$)).
7. Using utility knife cut a 4" hole in lower deck lip cover under the location of the new fan install. See Fig. 5.
8. Reinstall rear shelf trim using the seven push pins which were removed in step 3.

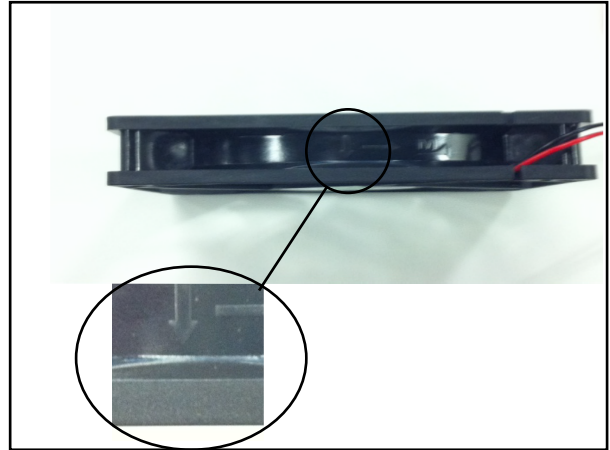


Fig. 1



Fig. 2

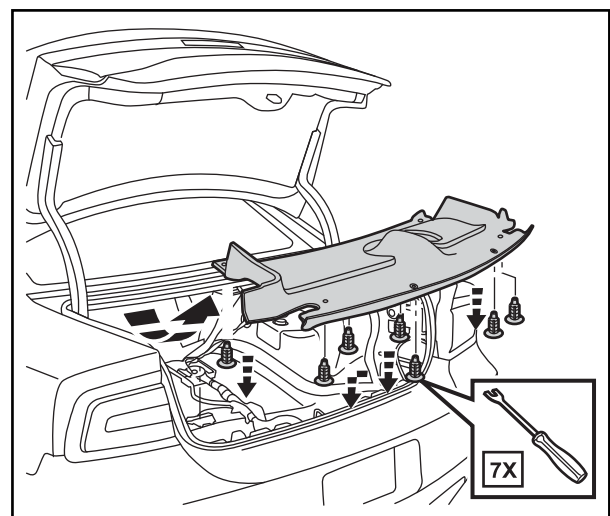


Fig. 3

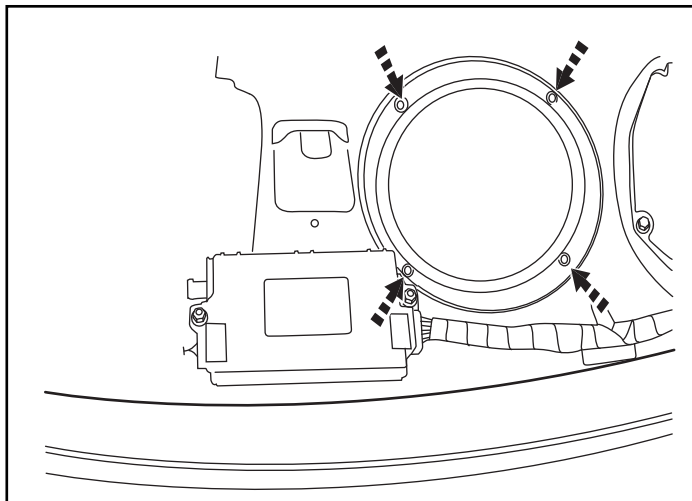


Fig. 4

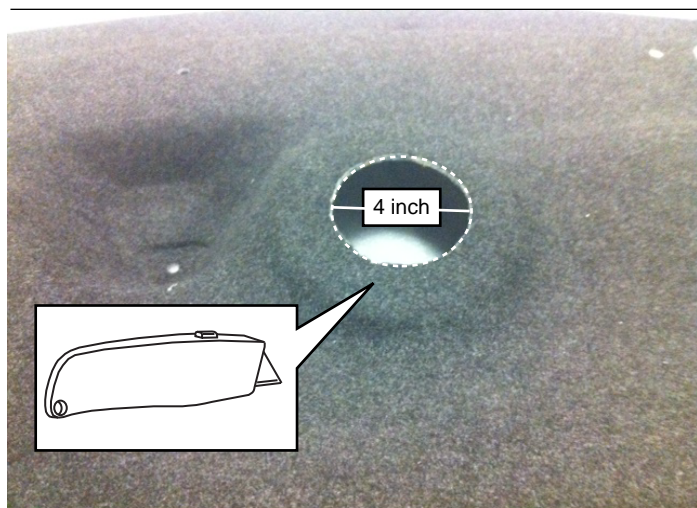


Fig. 5



Fig. 6