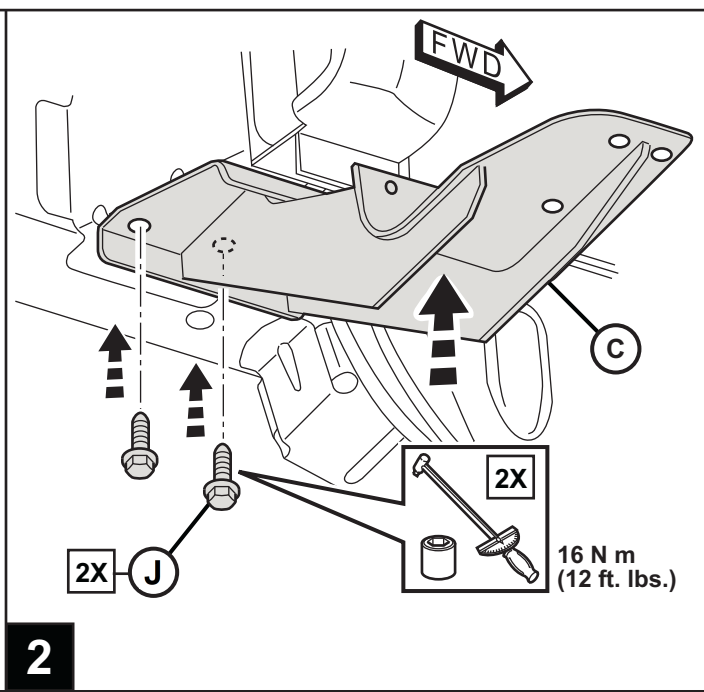
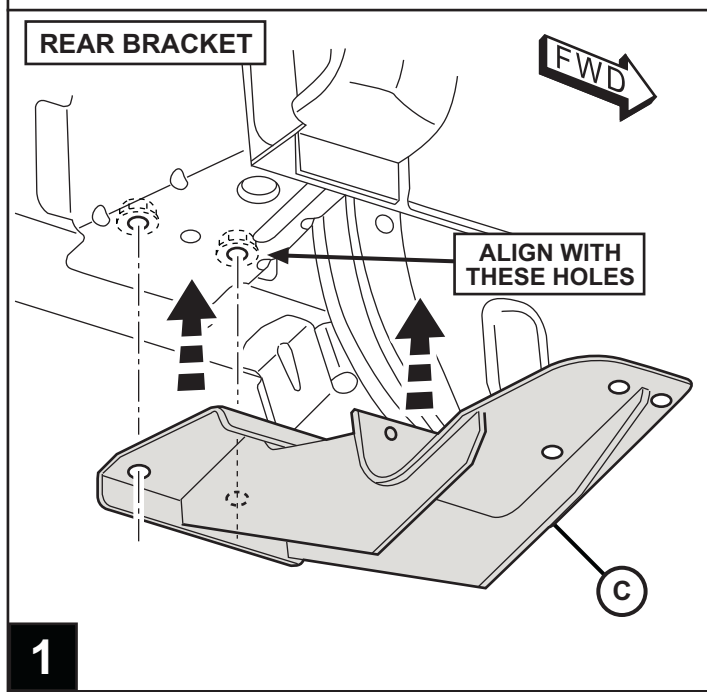
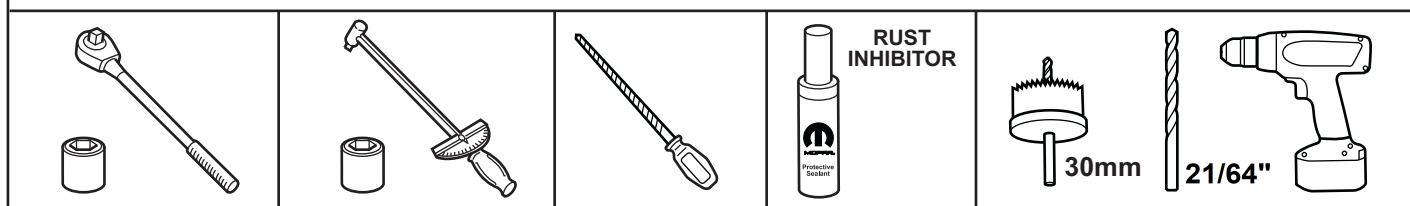
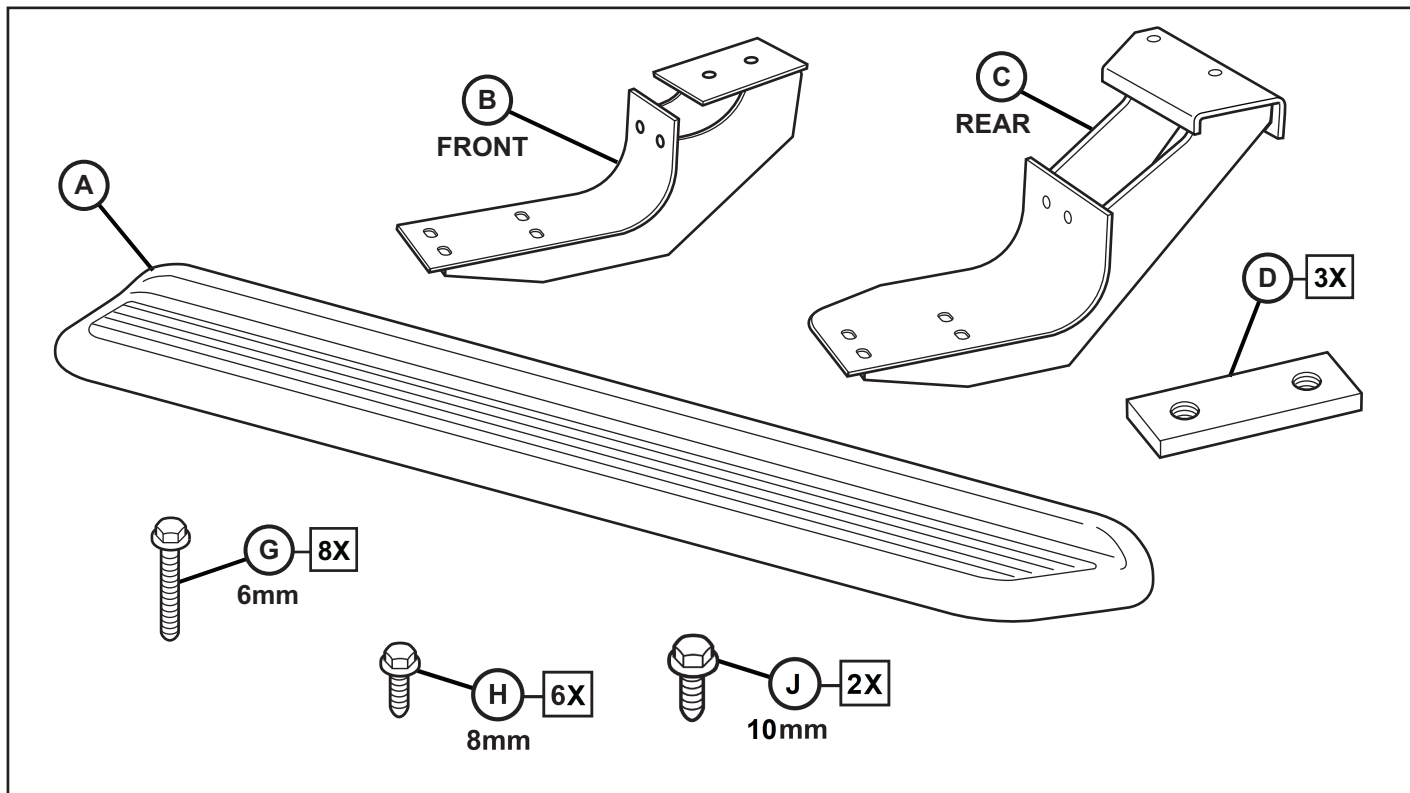
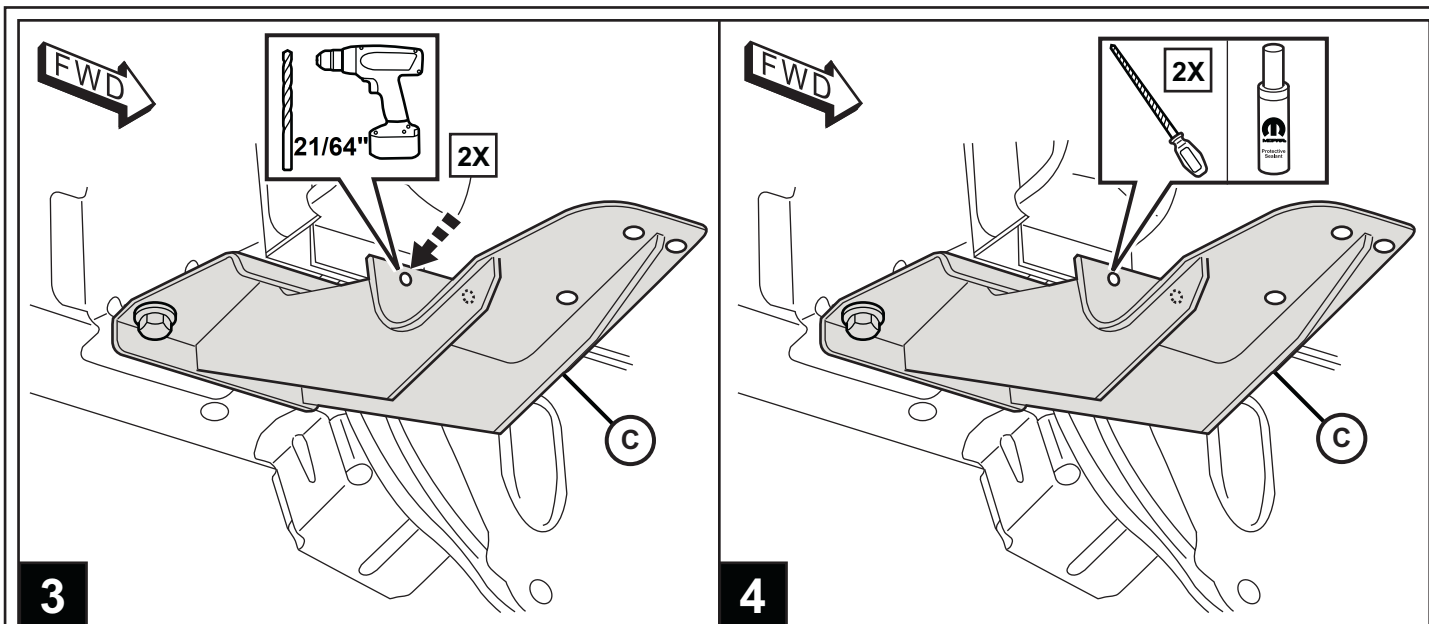




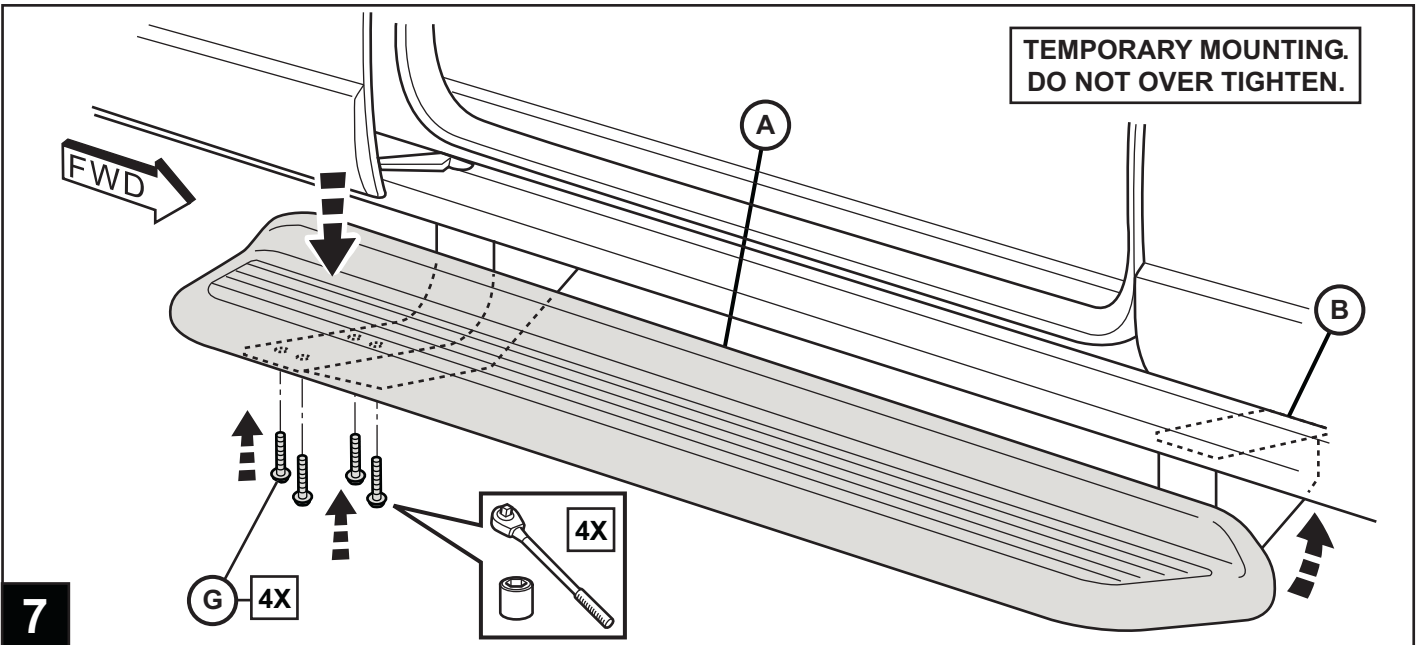
PROMASTER SIDE STEP 118" WHEELBASE

www.mopar.com

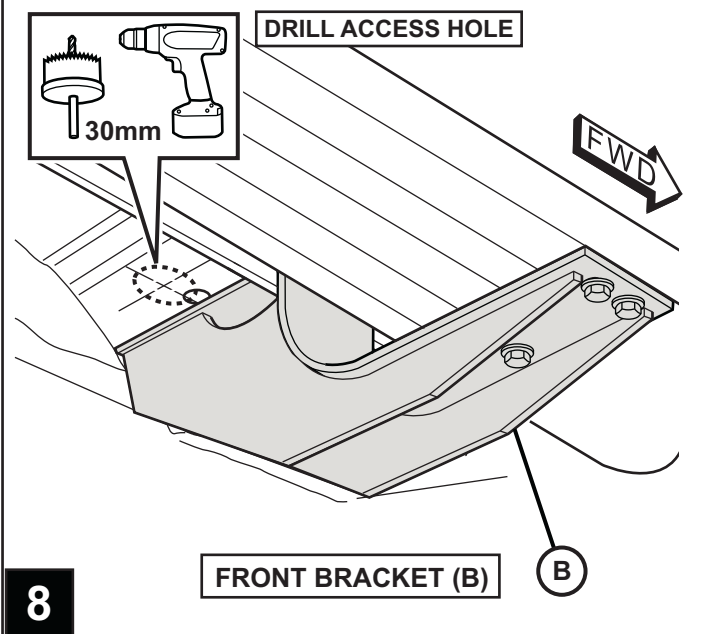




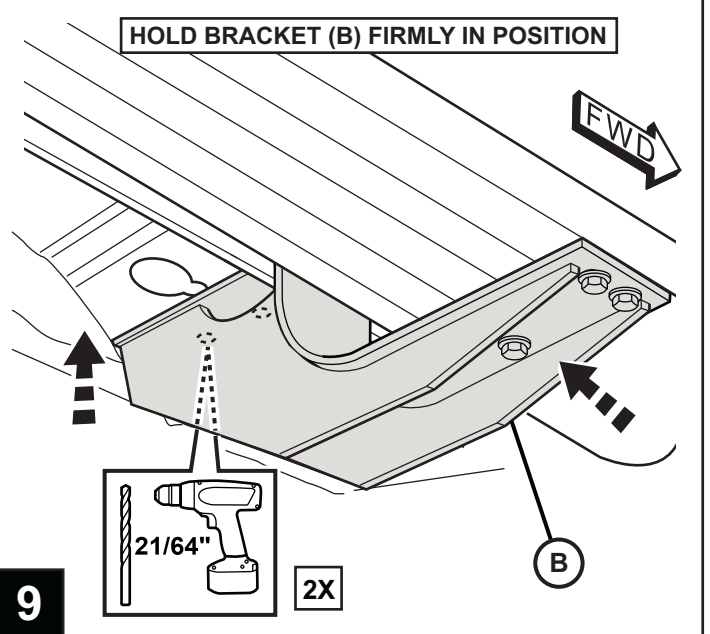
TEMPORARY MOUNTING.
DO NOT OVER TIGHTEN.



7



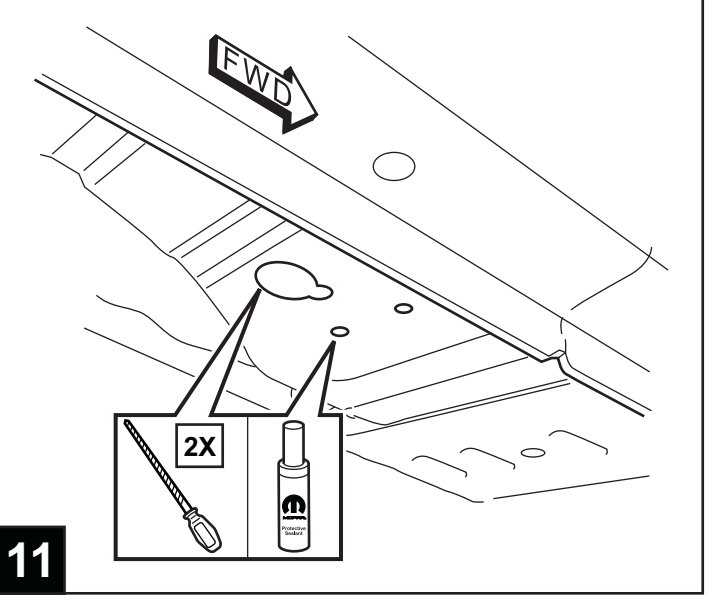
8



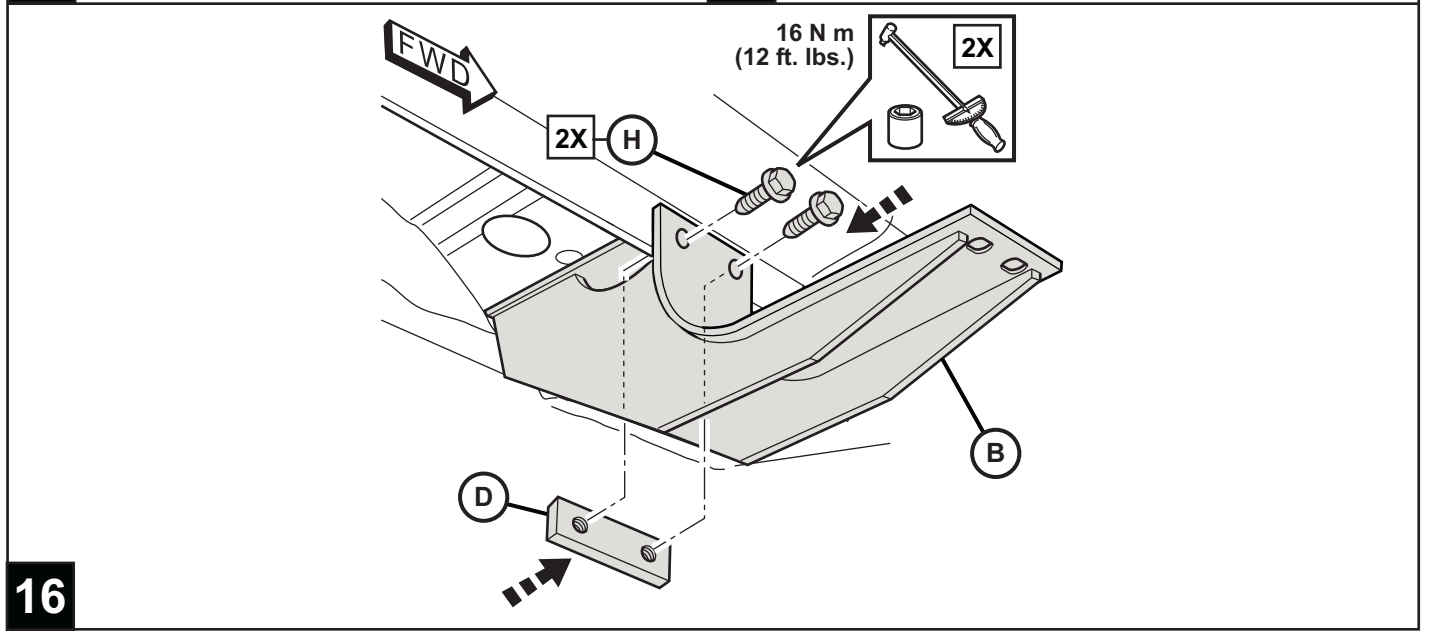
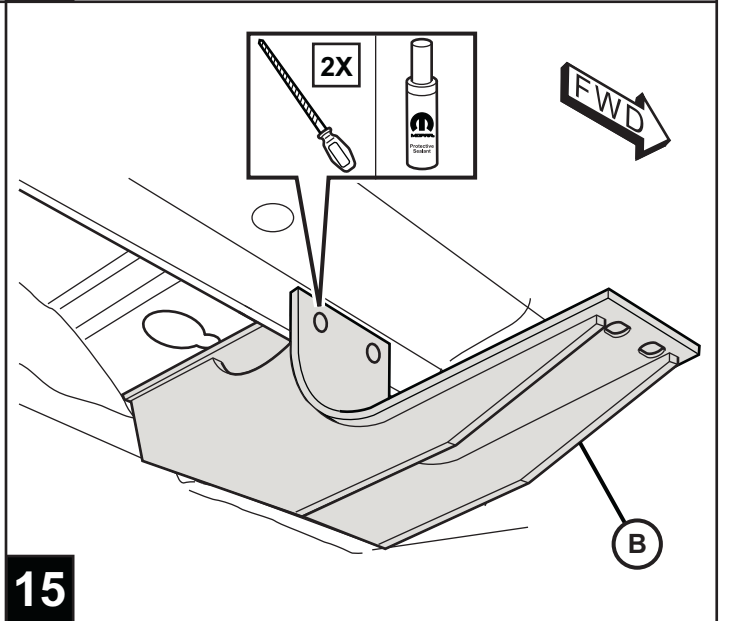
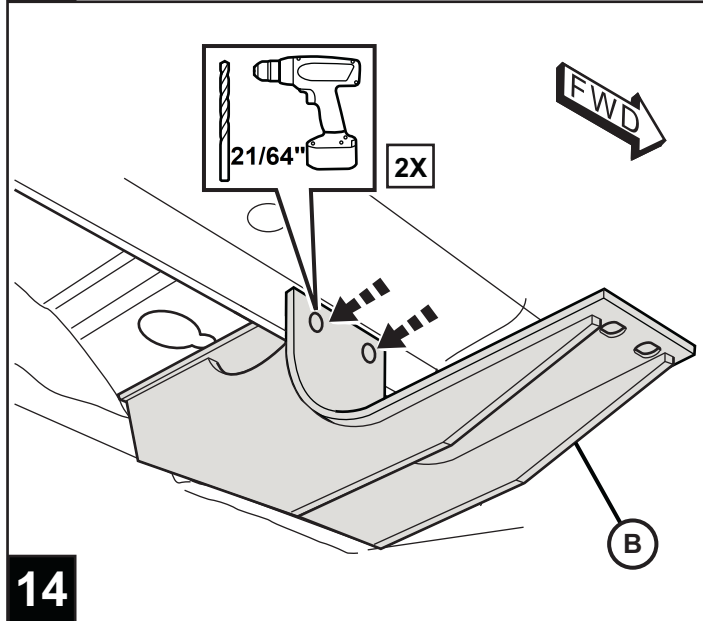
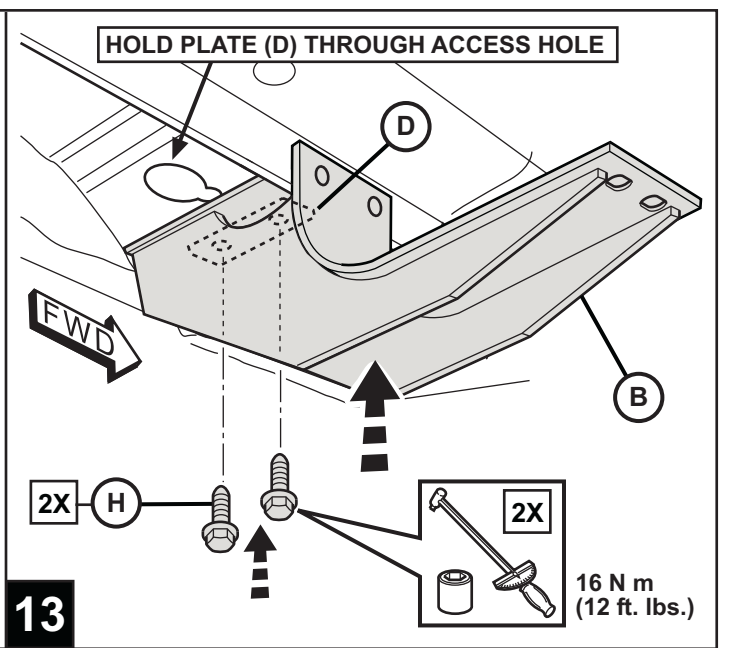
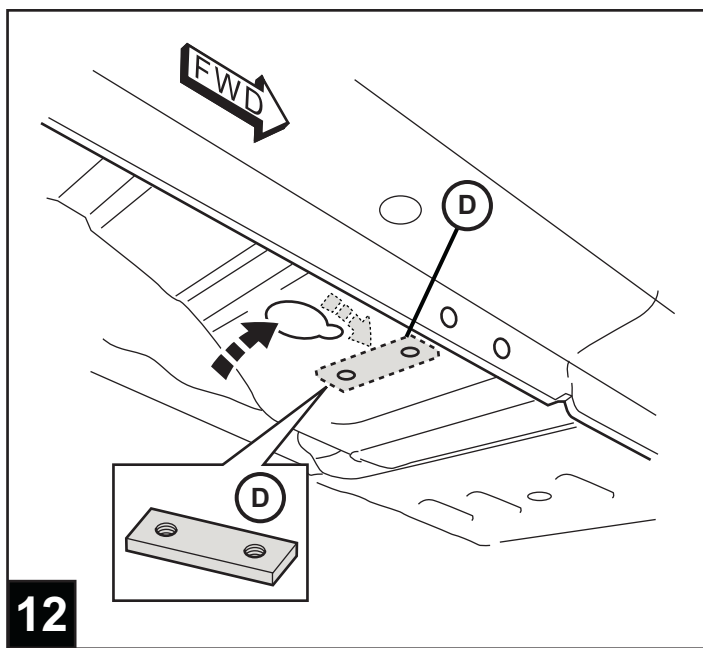
9

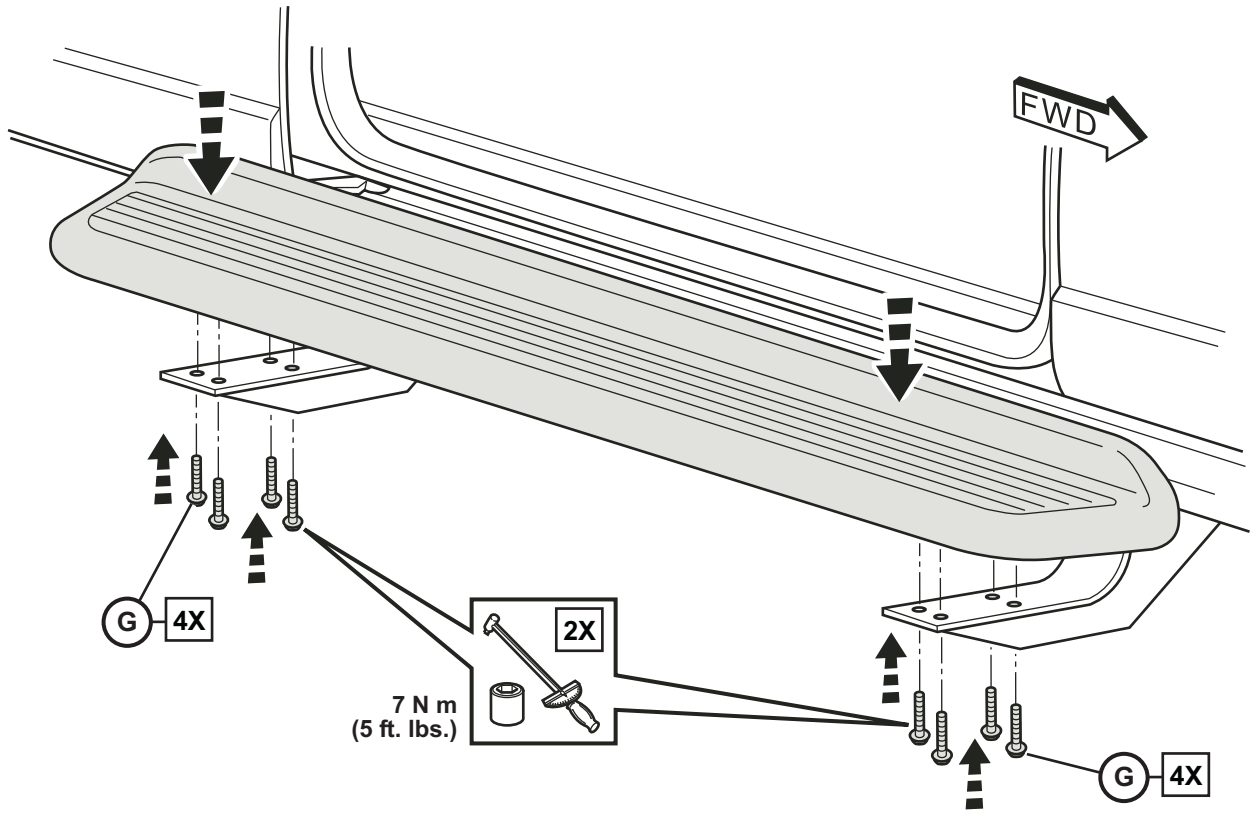
REMOVE SIDE STEP (A) AND BRACKET (B)
BY REVERSING STEP 7, THEN STEP 6

10



11





17