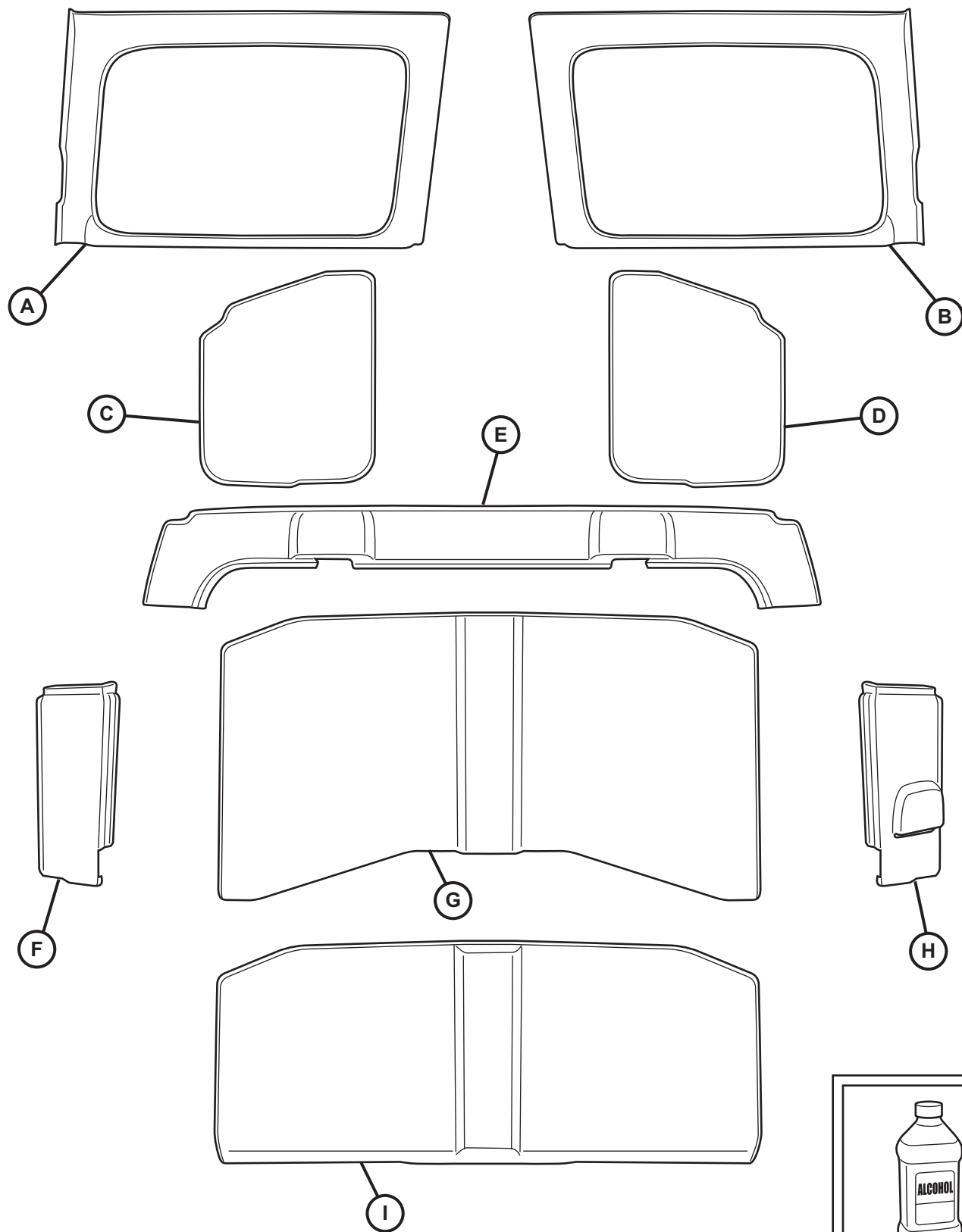
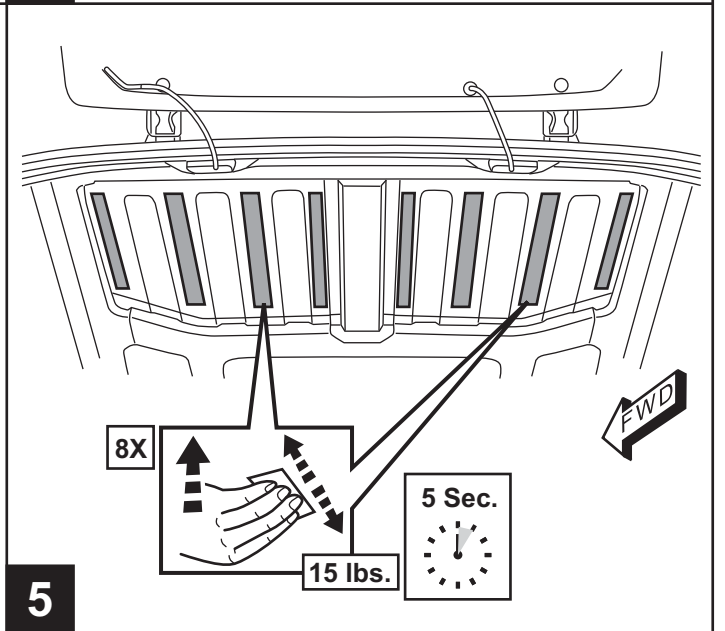
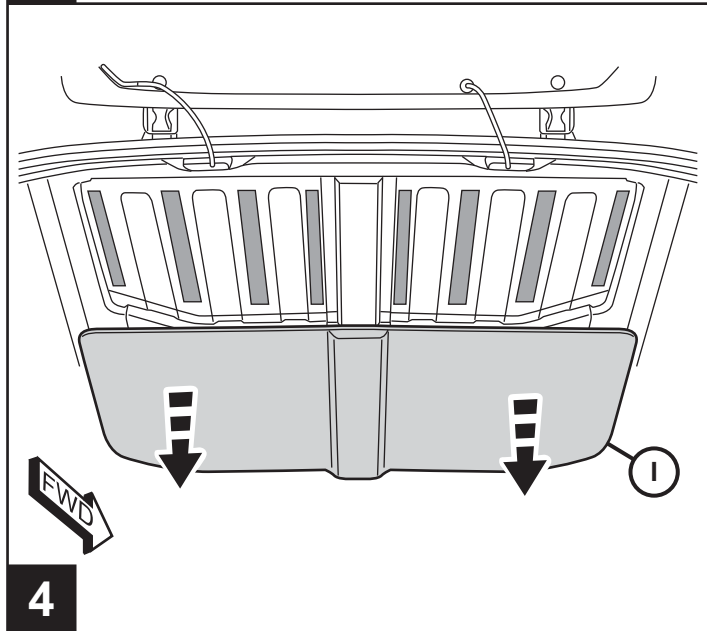
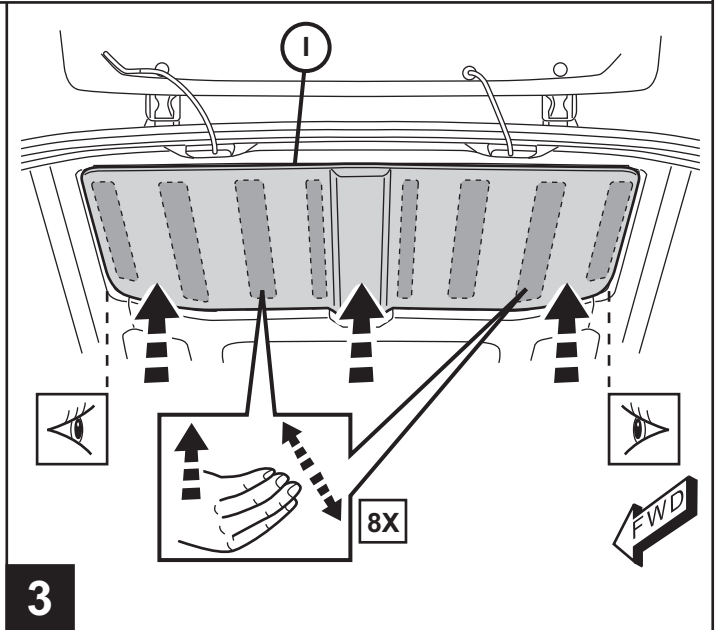
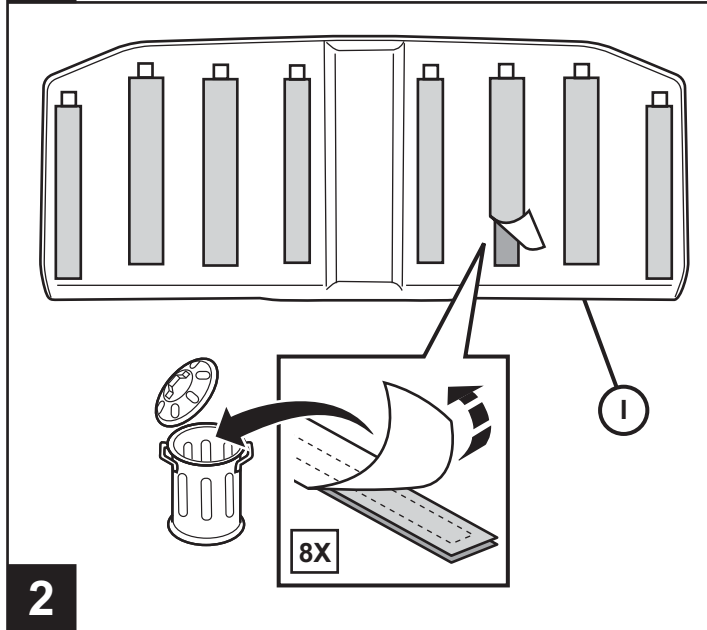
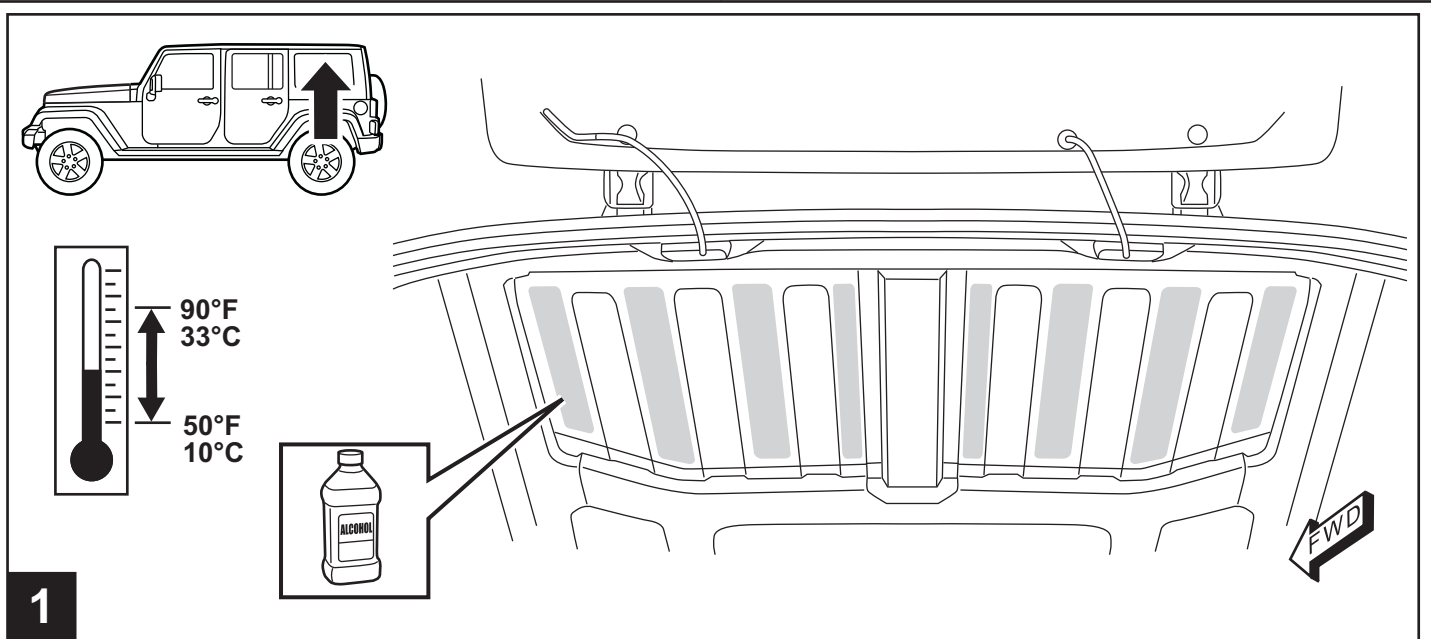


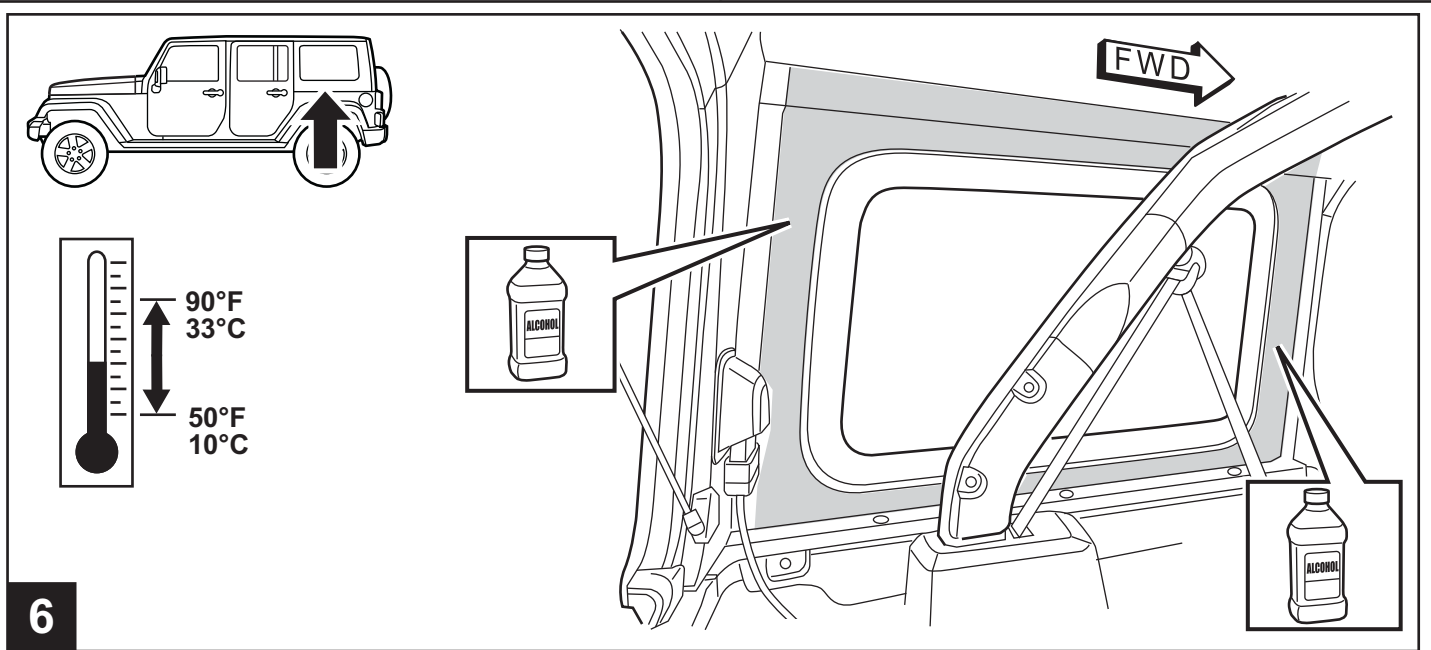


REMOVABLE HEADLINER JEEP WRANGLER 4-DOOR

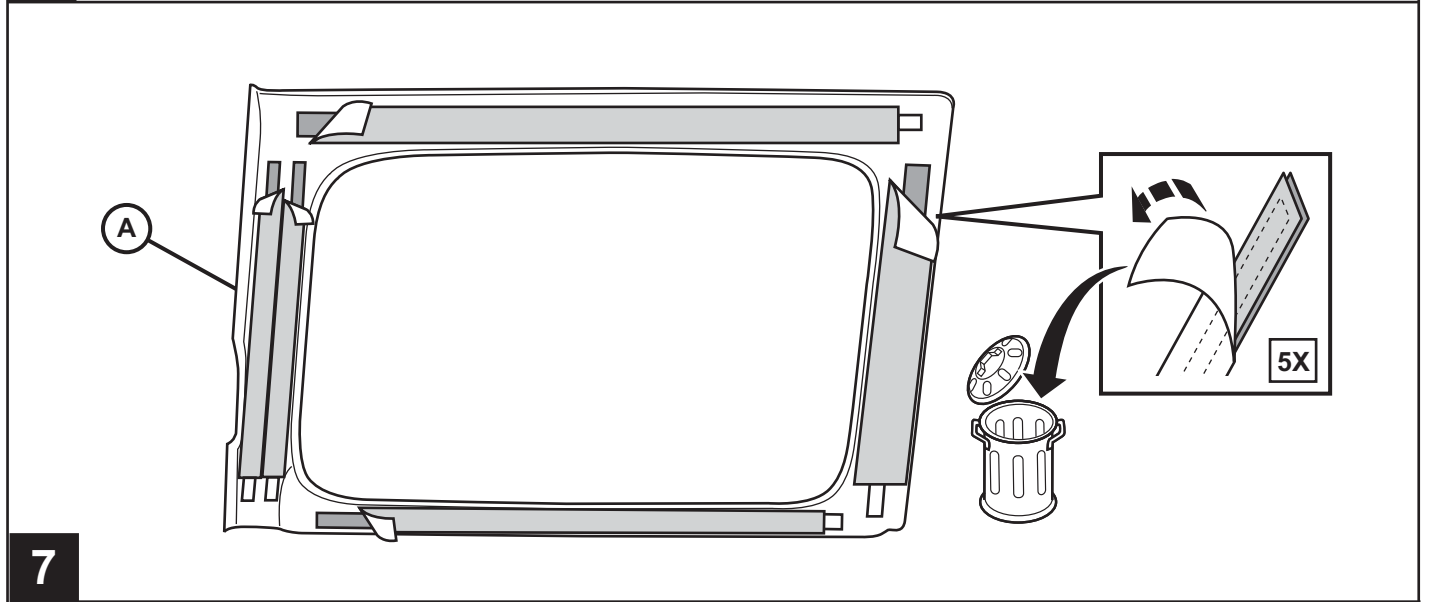
www.mopar.com



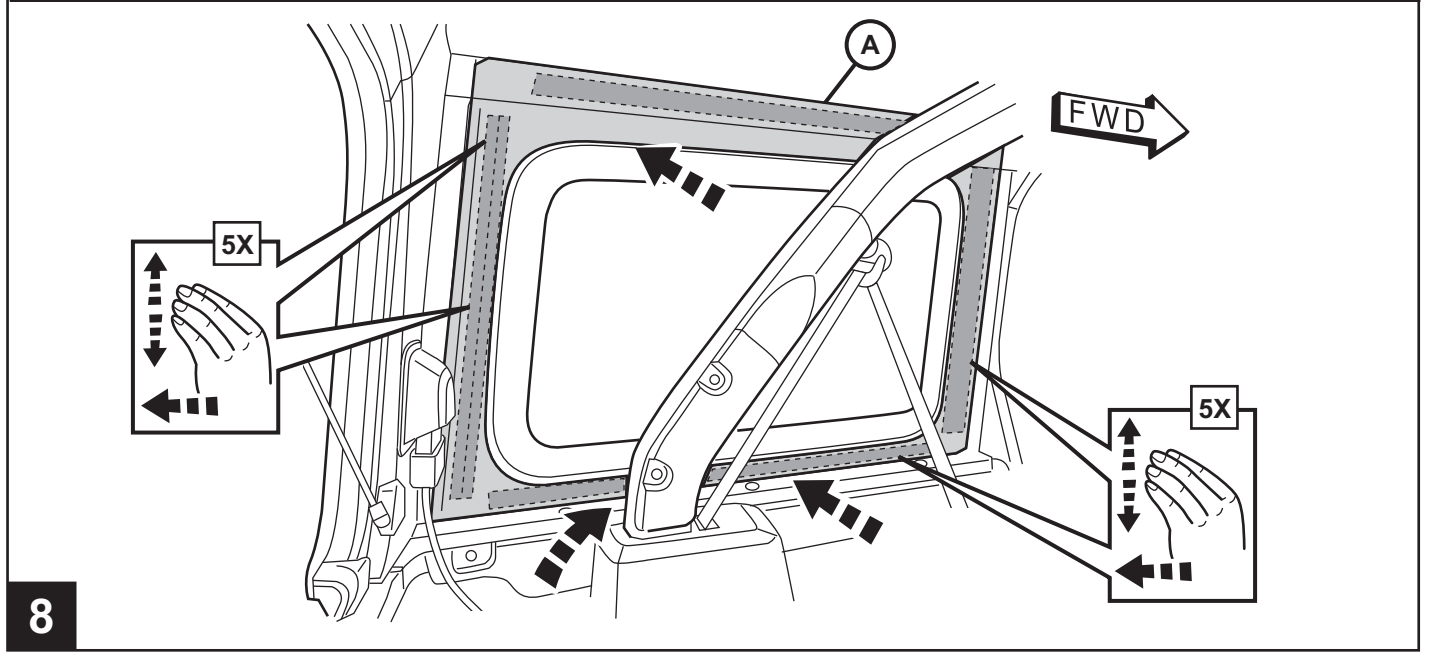




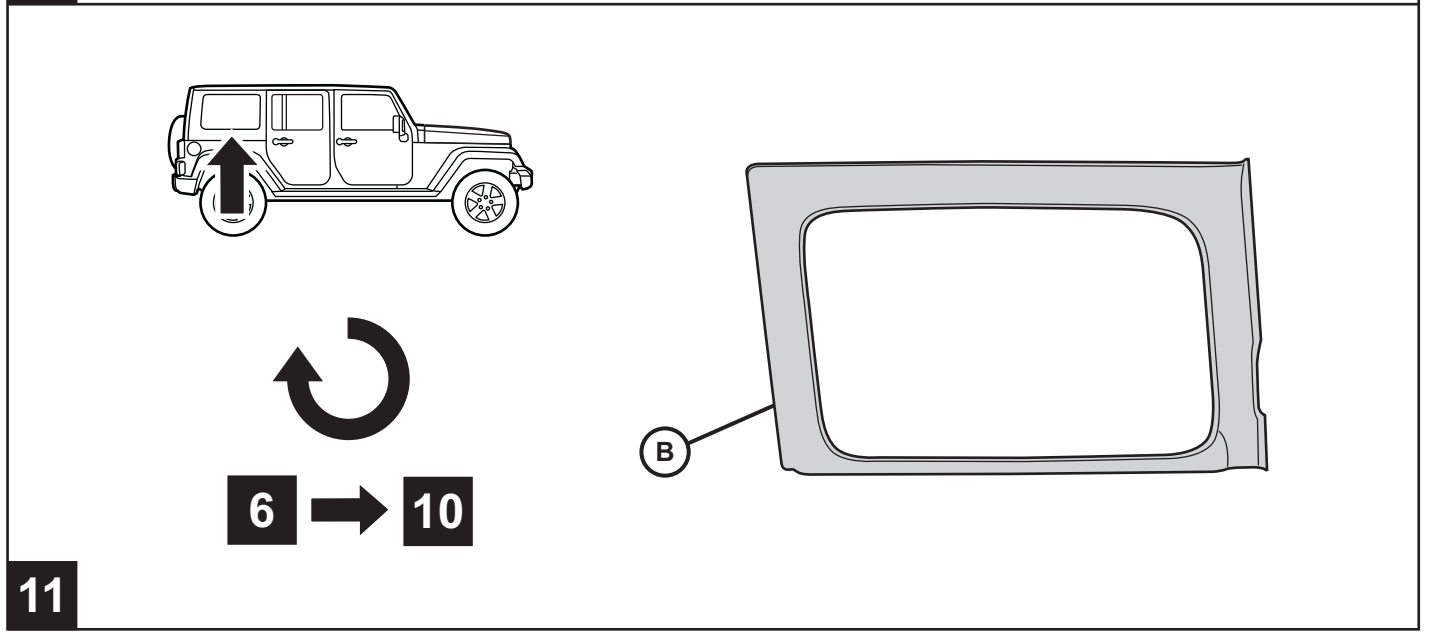
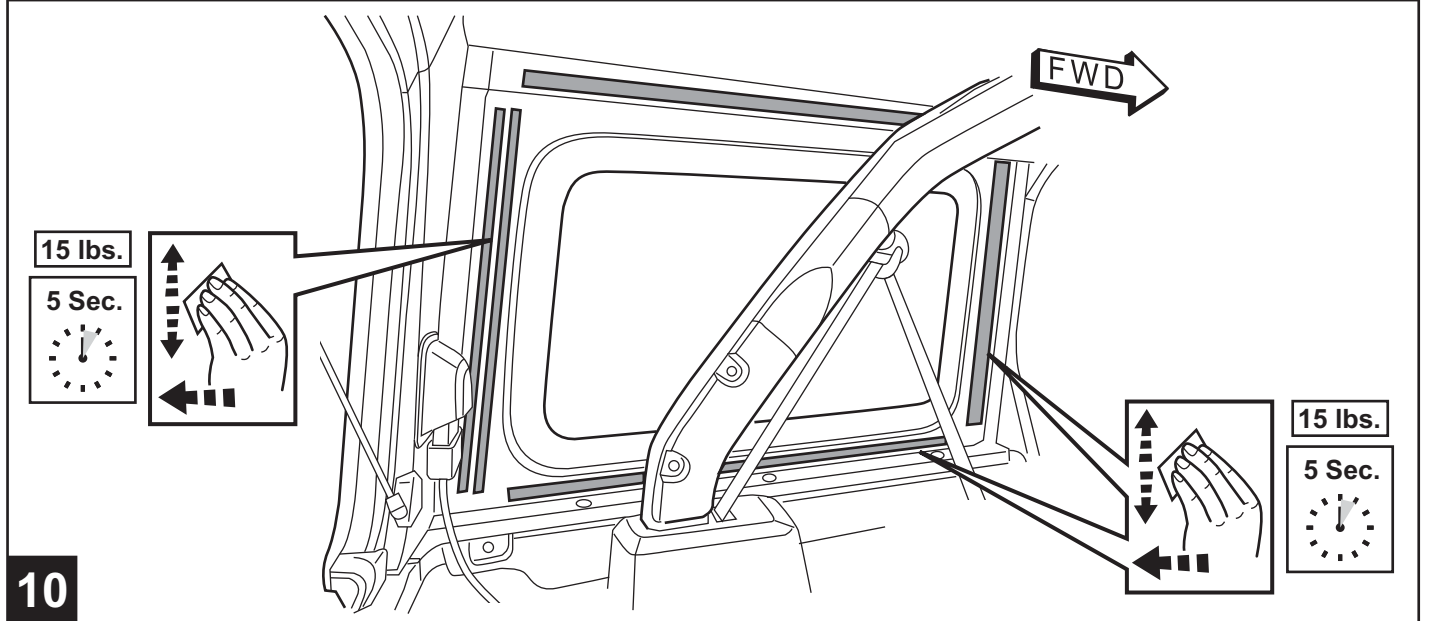
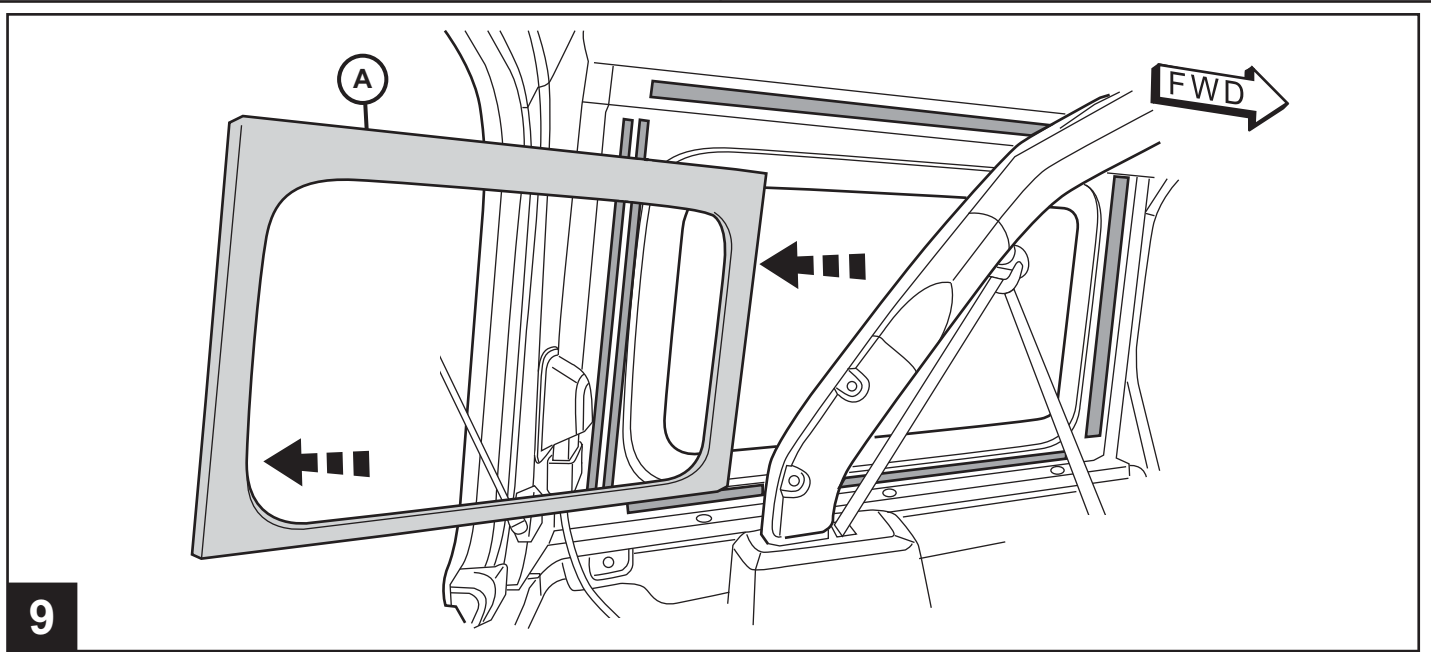
6

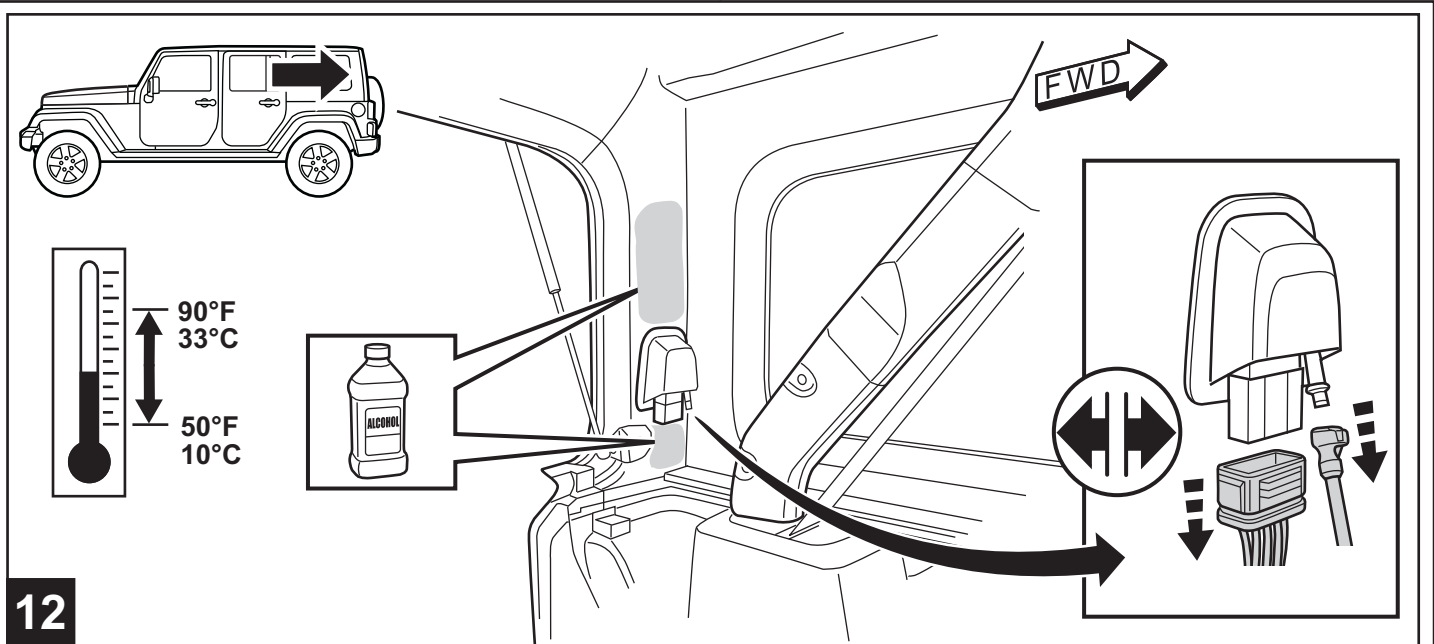


7

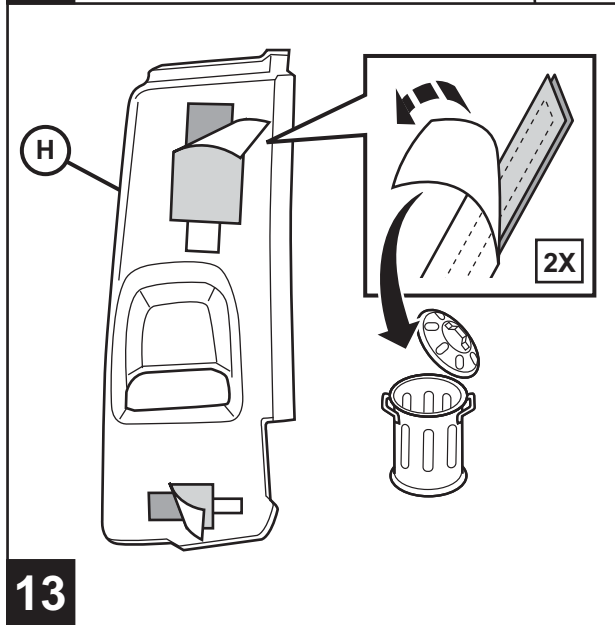


8

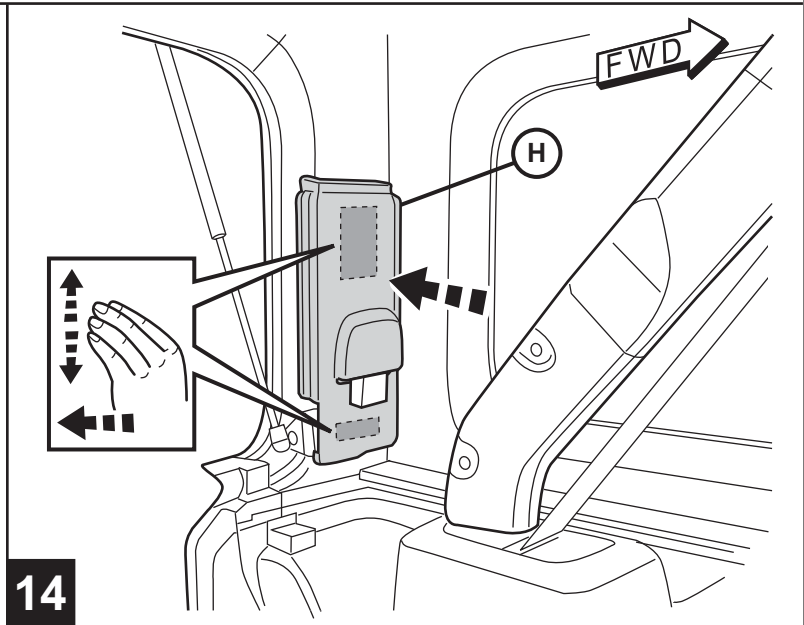




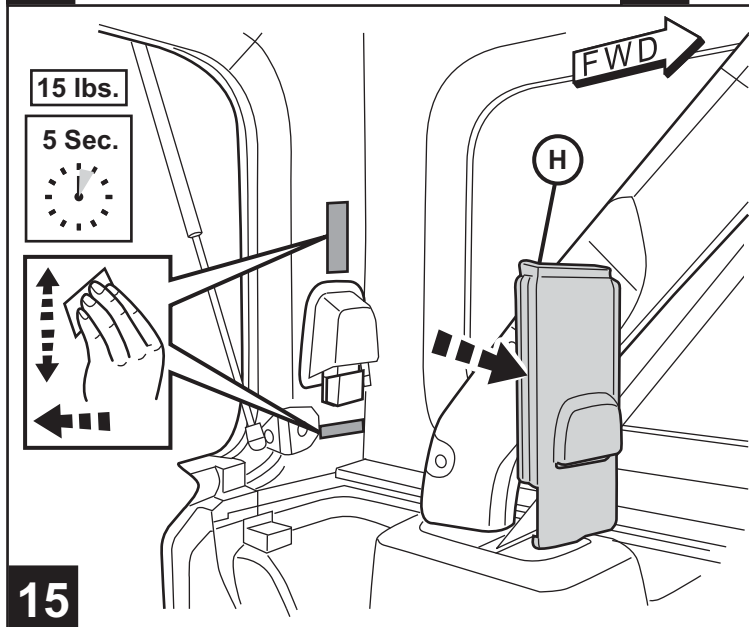
12



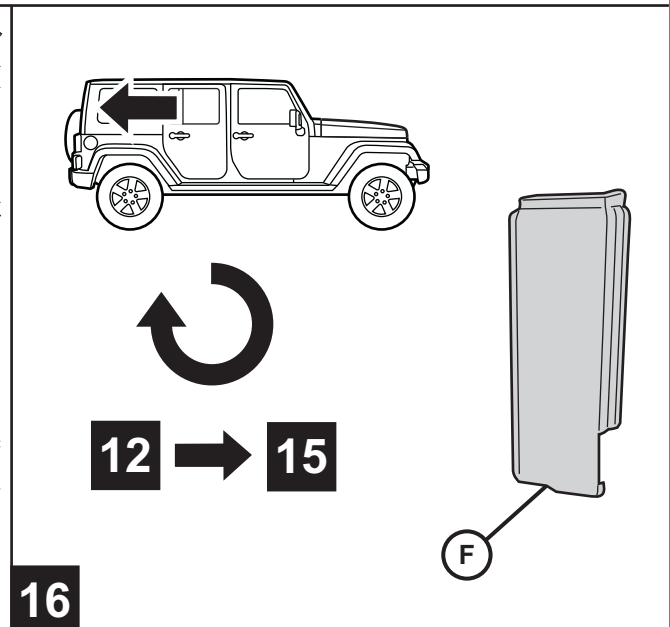
13



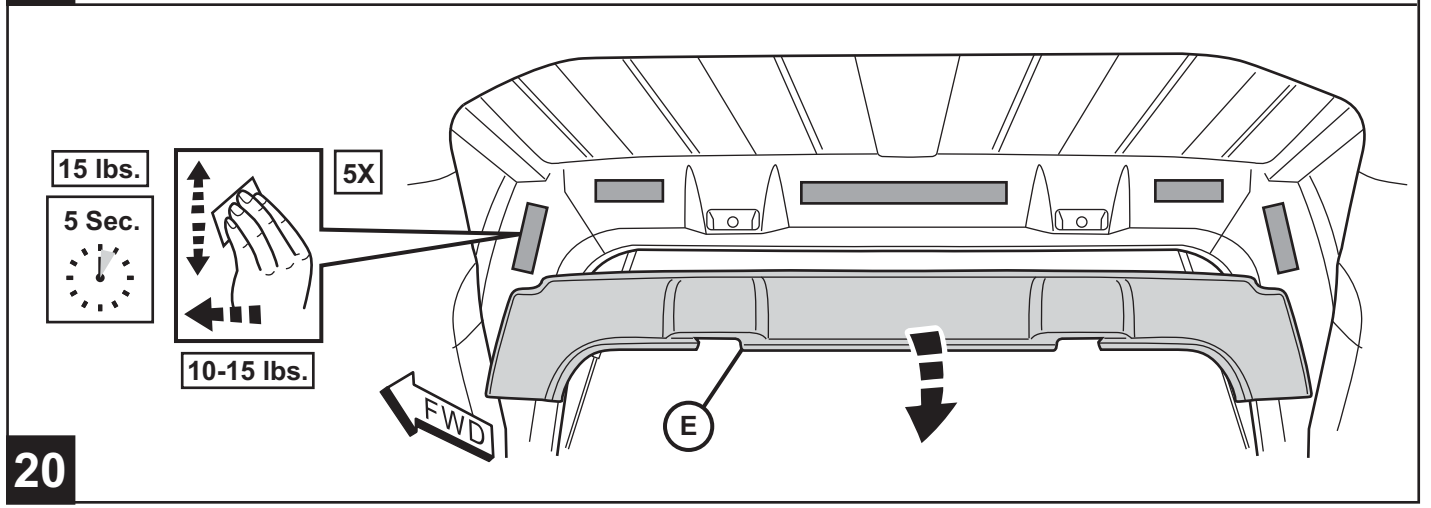
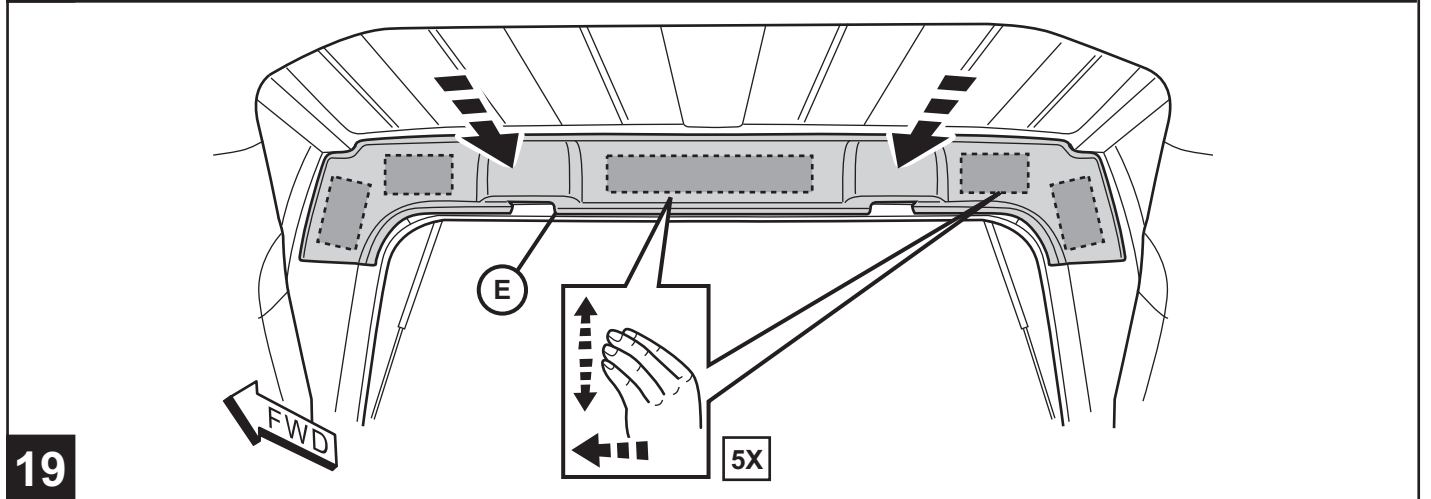
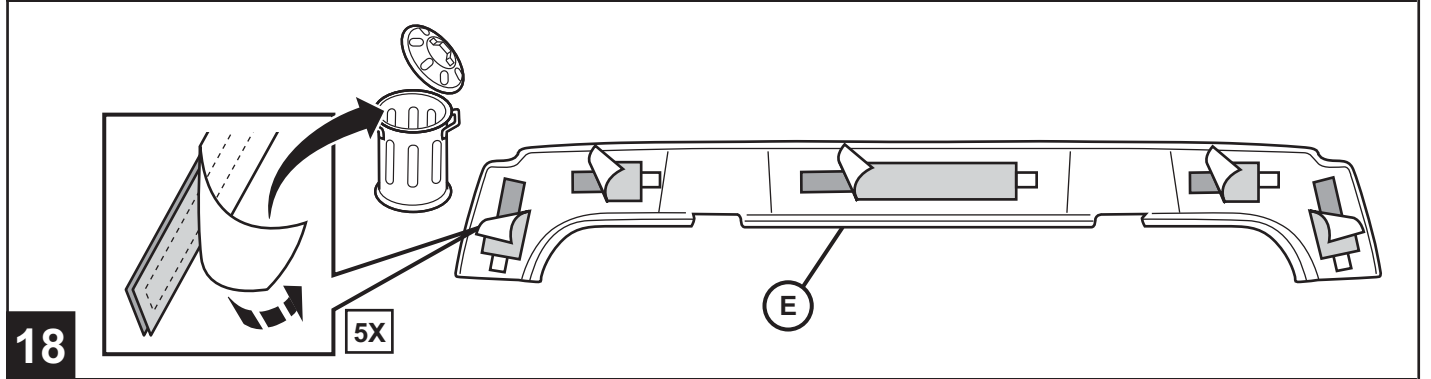
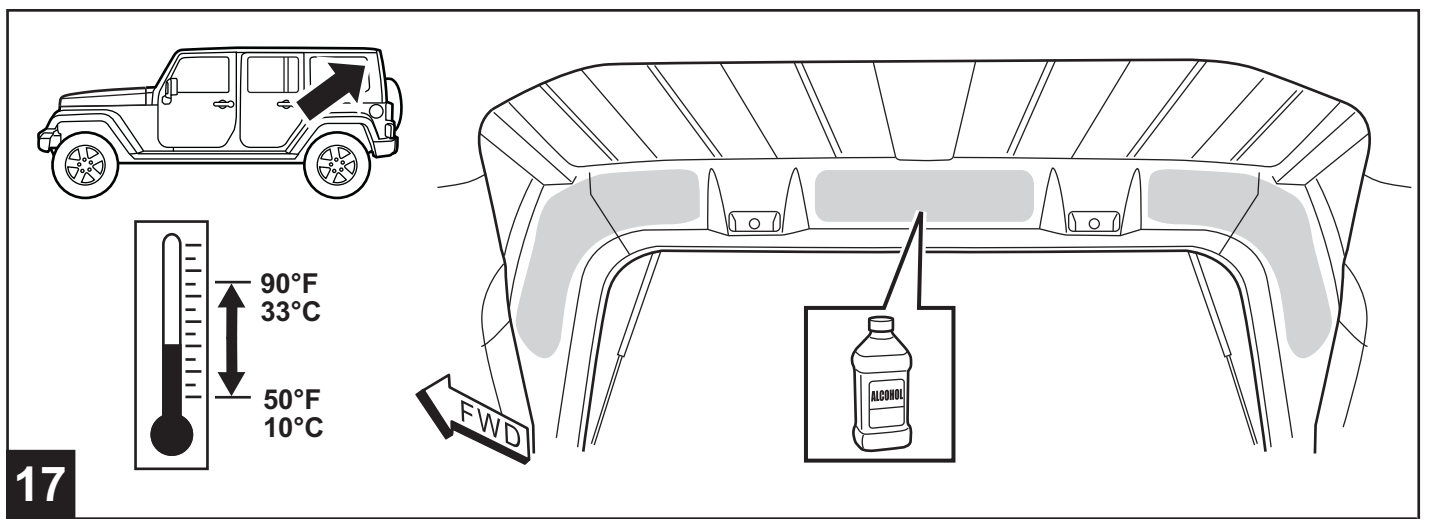
14

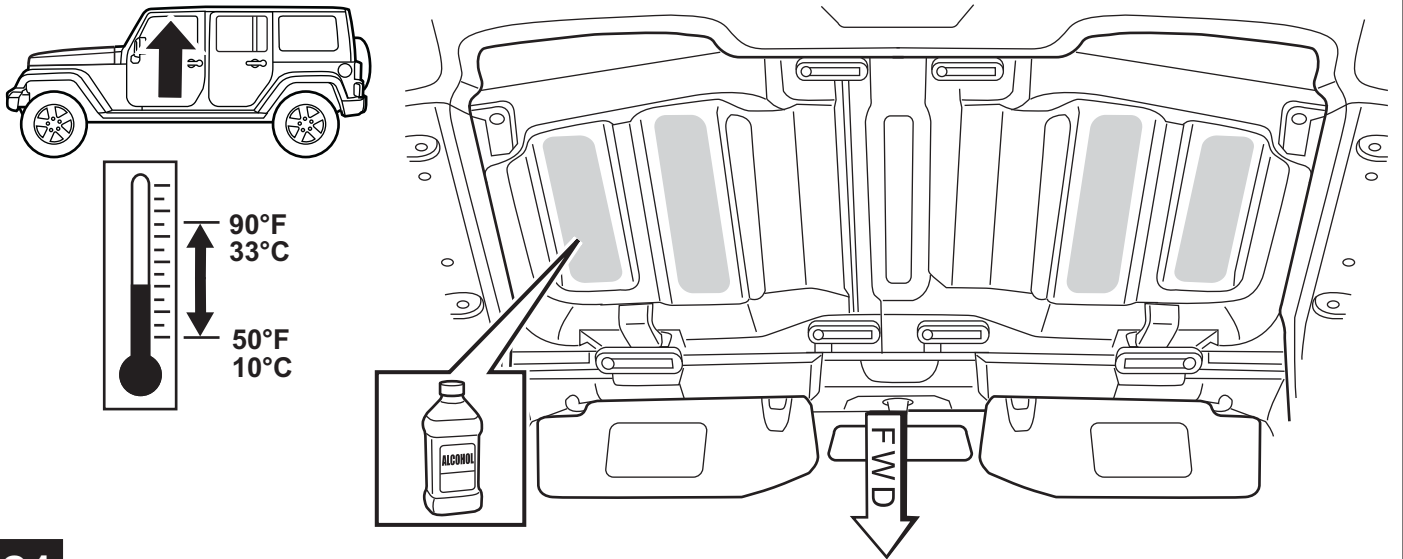


15

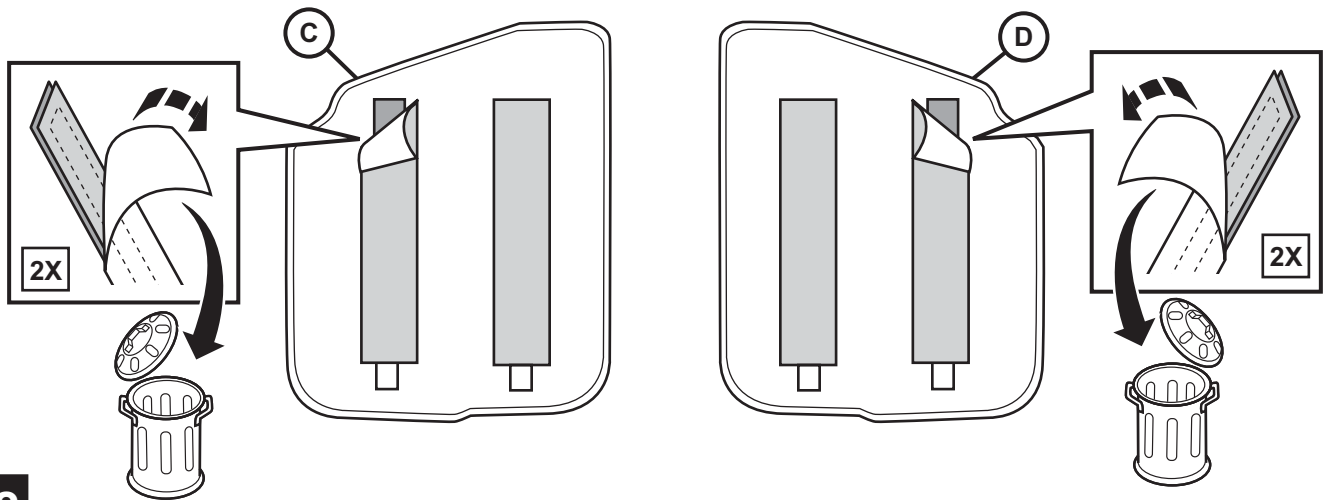


16

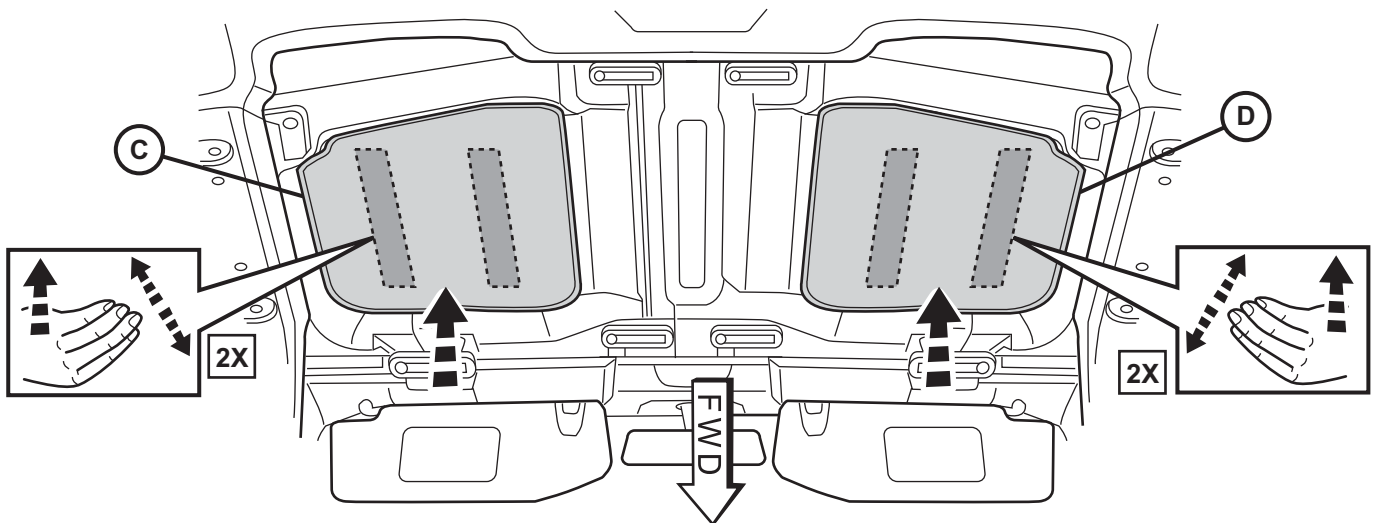




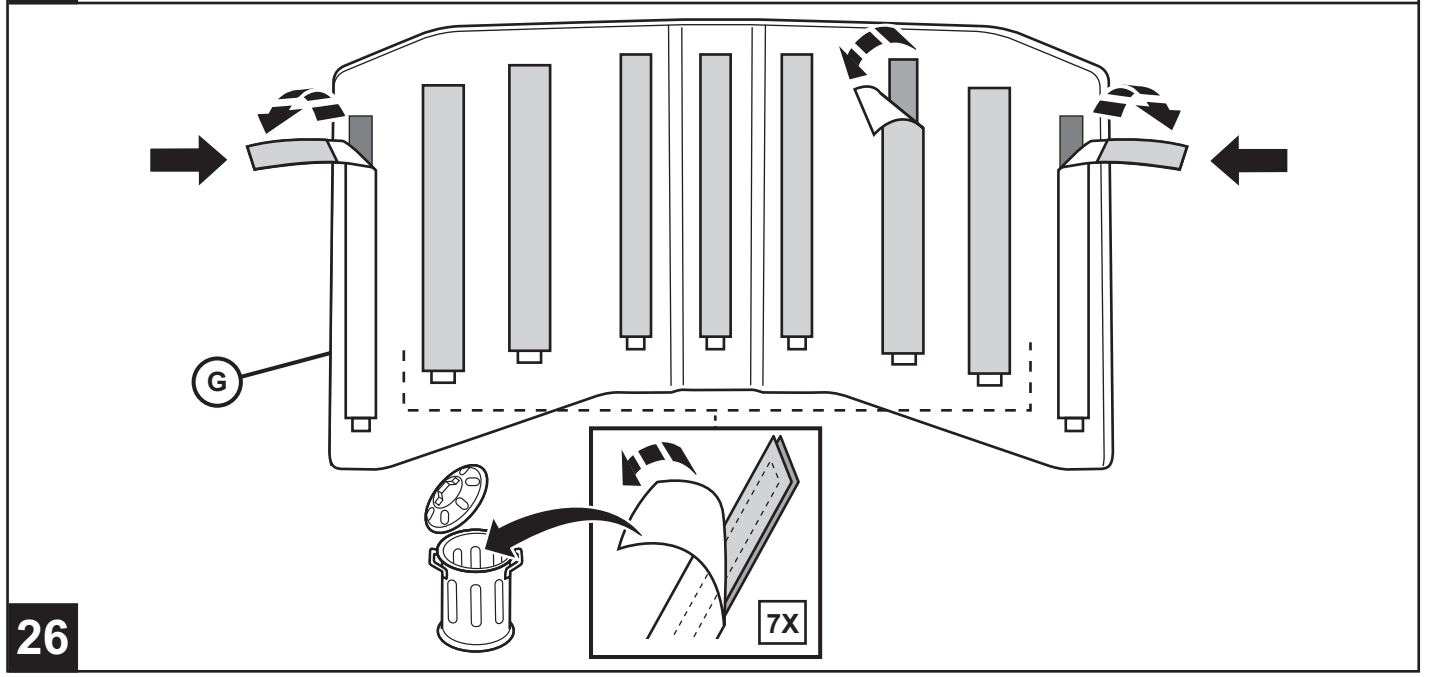
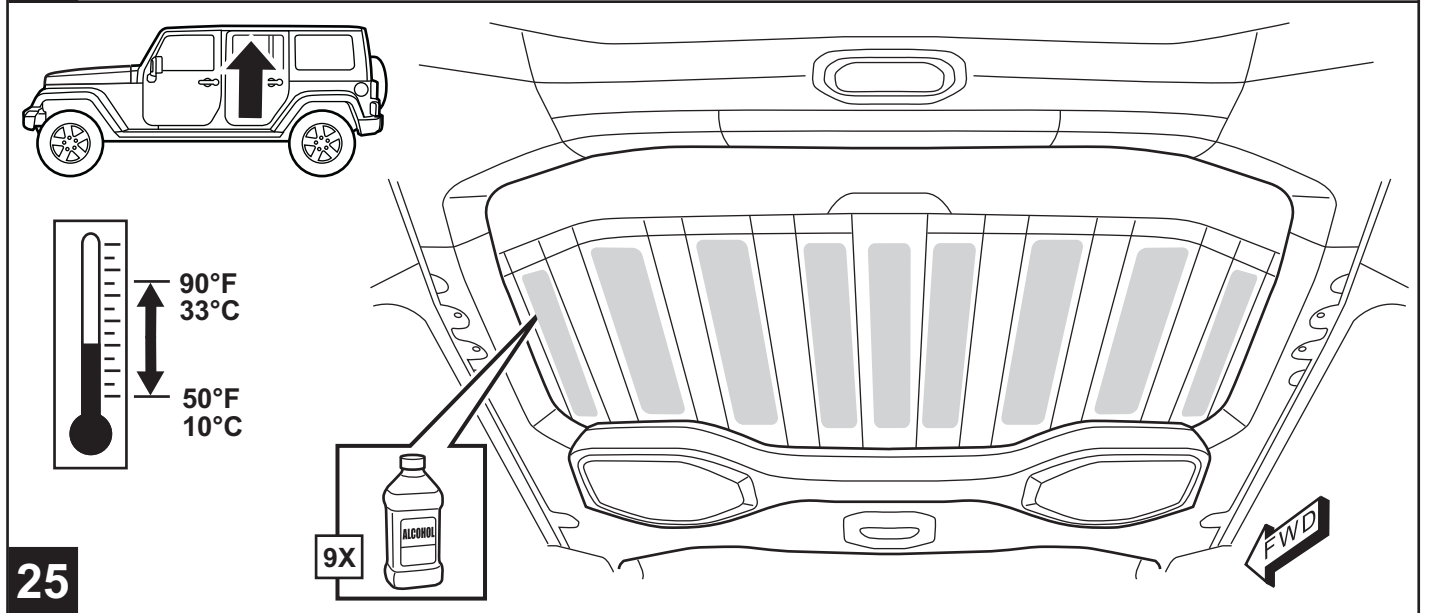
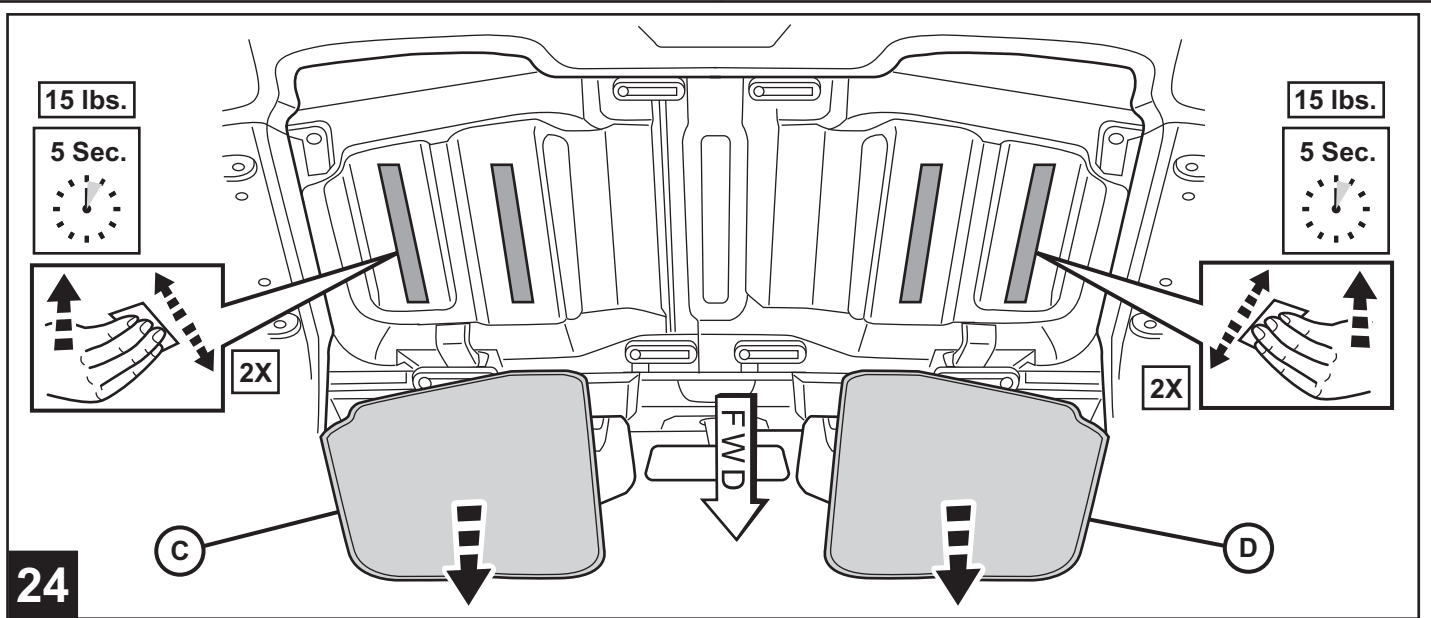
21

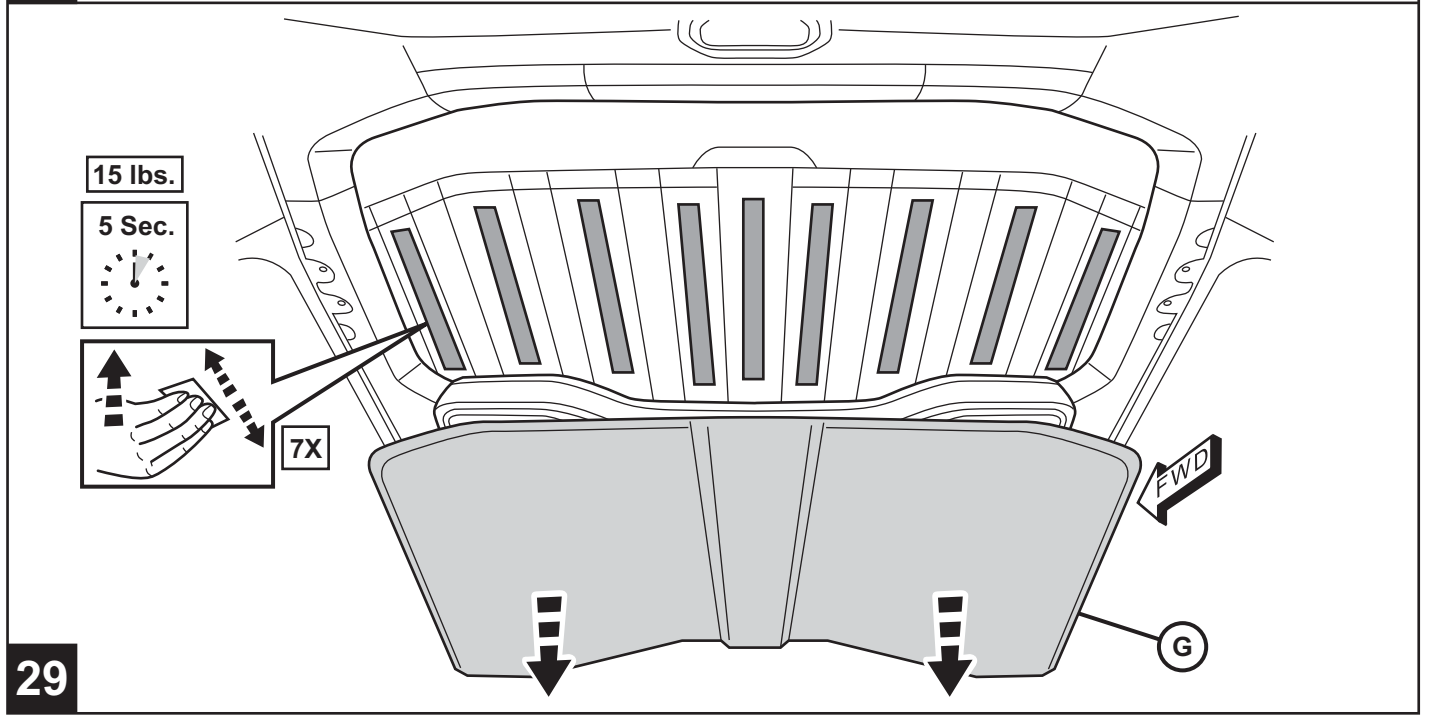
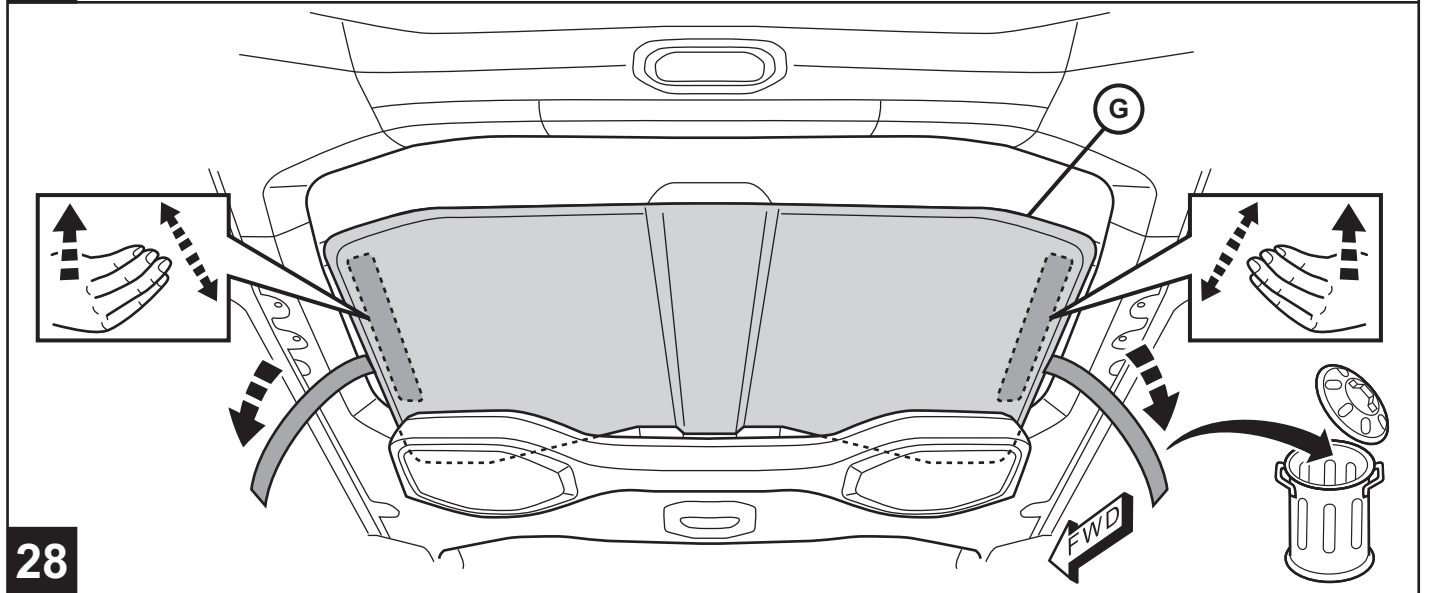
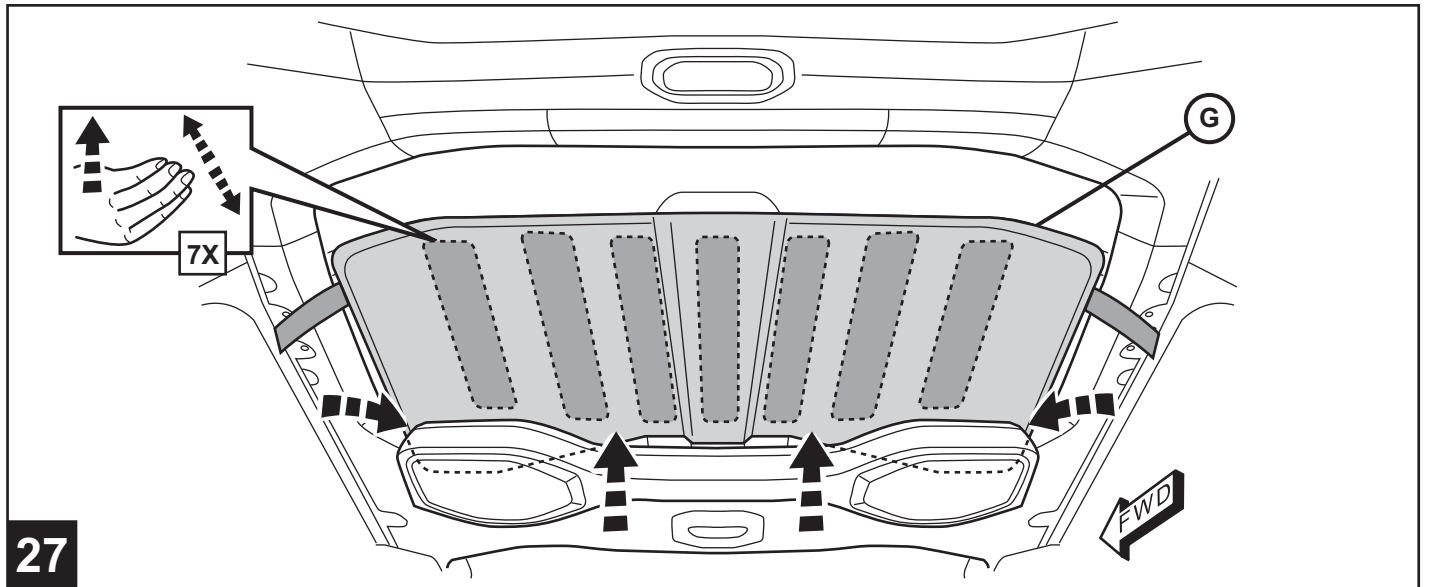


22

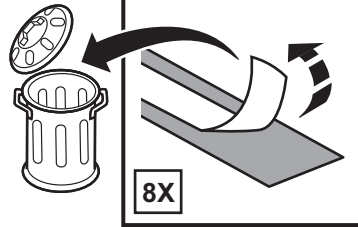
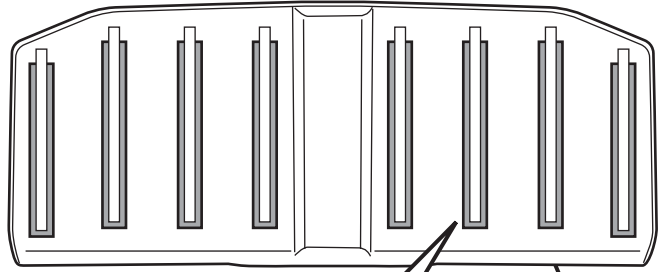


23



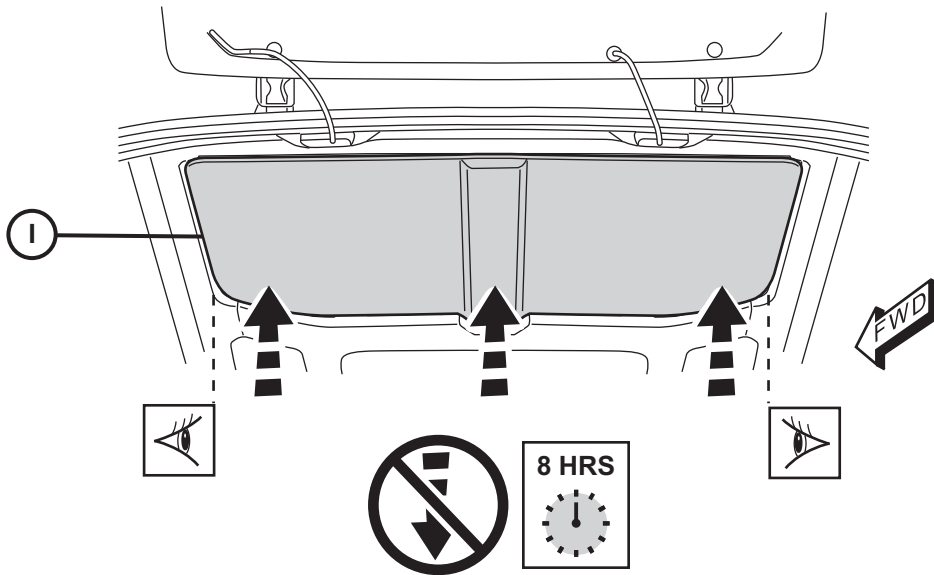


2 HRS

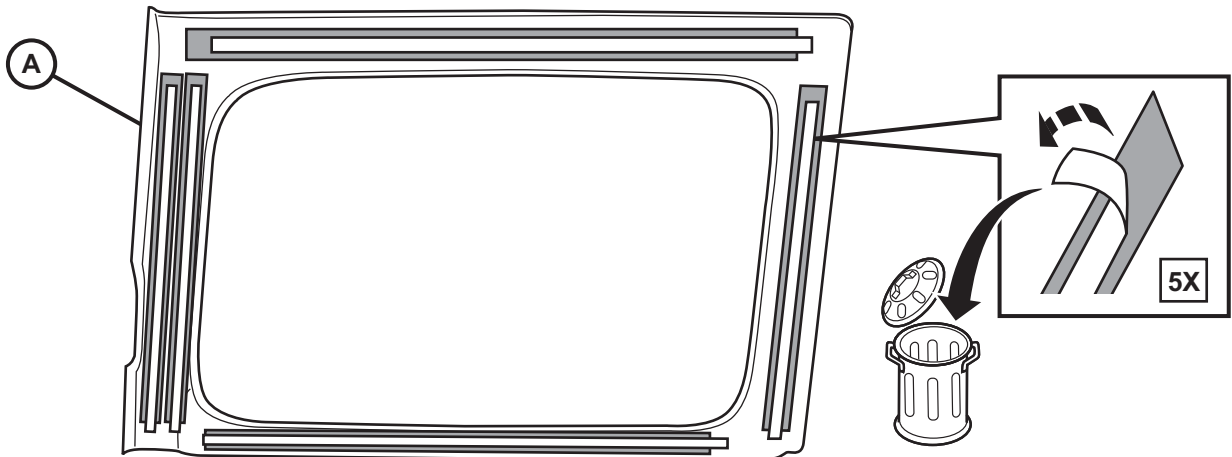


30

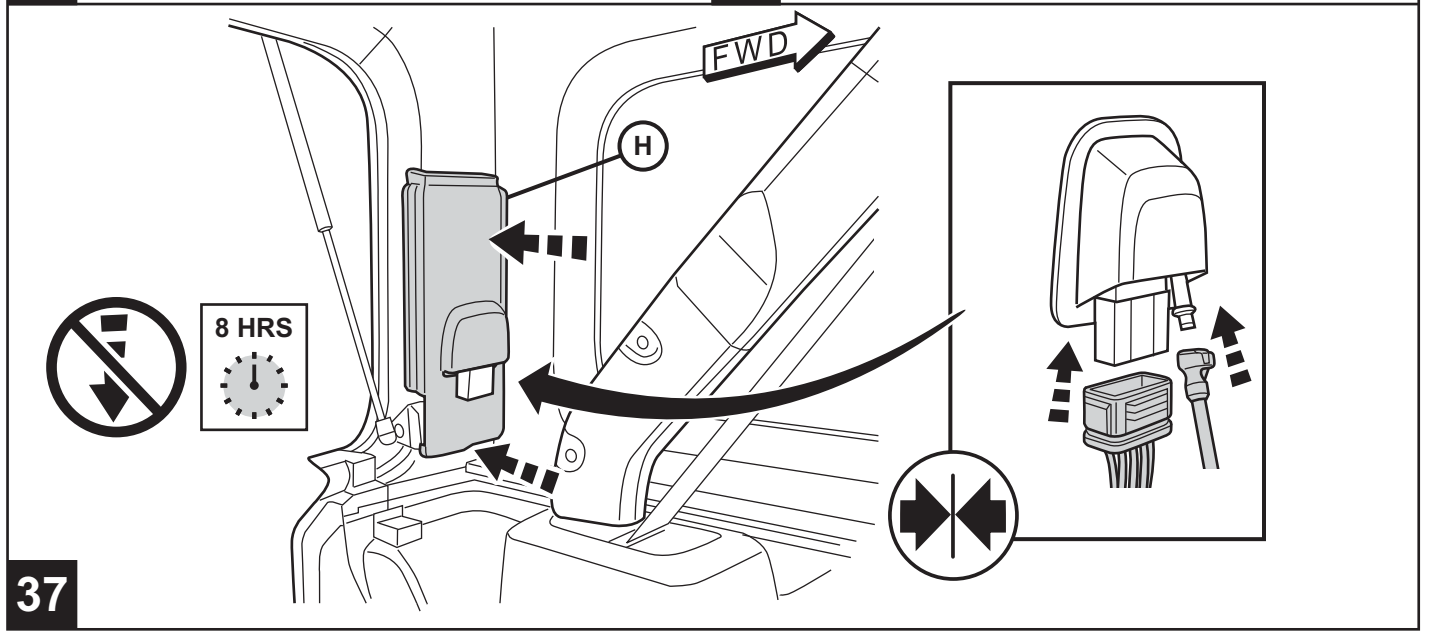
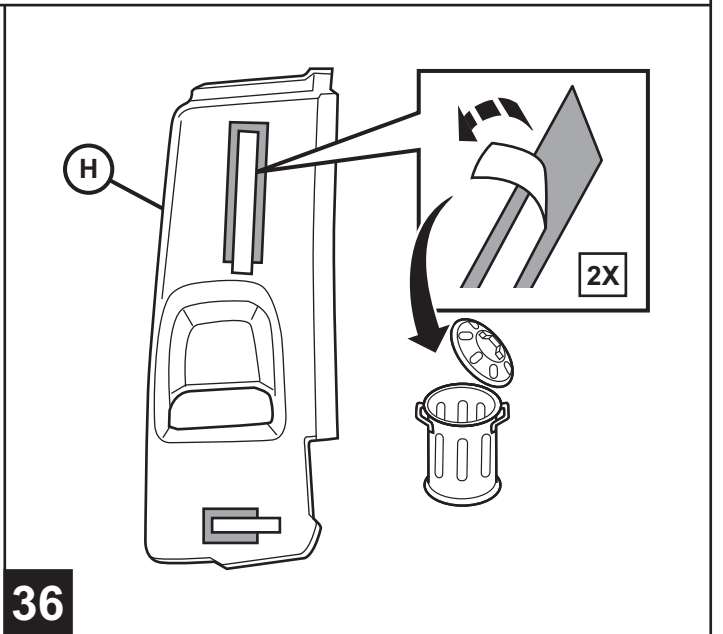
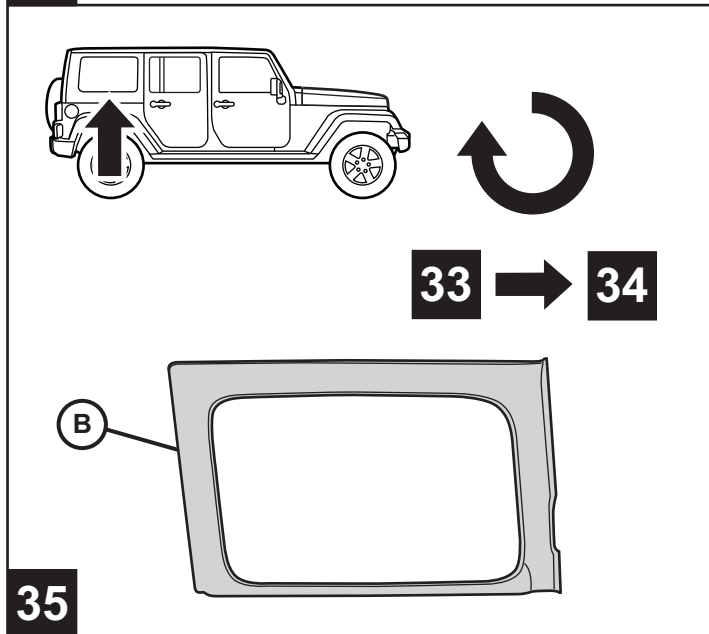
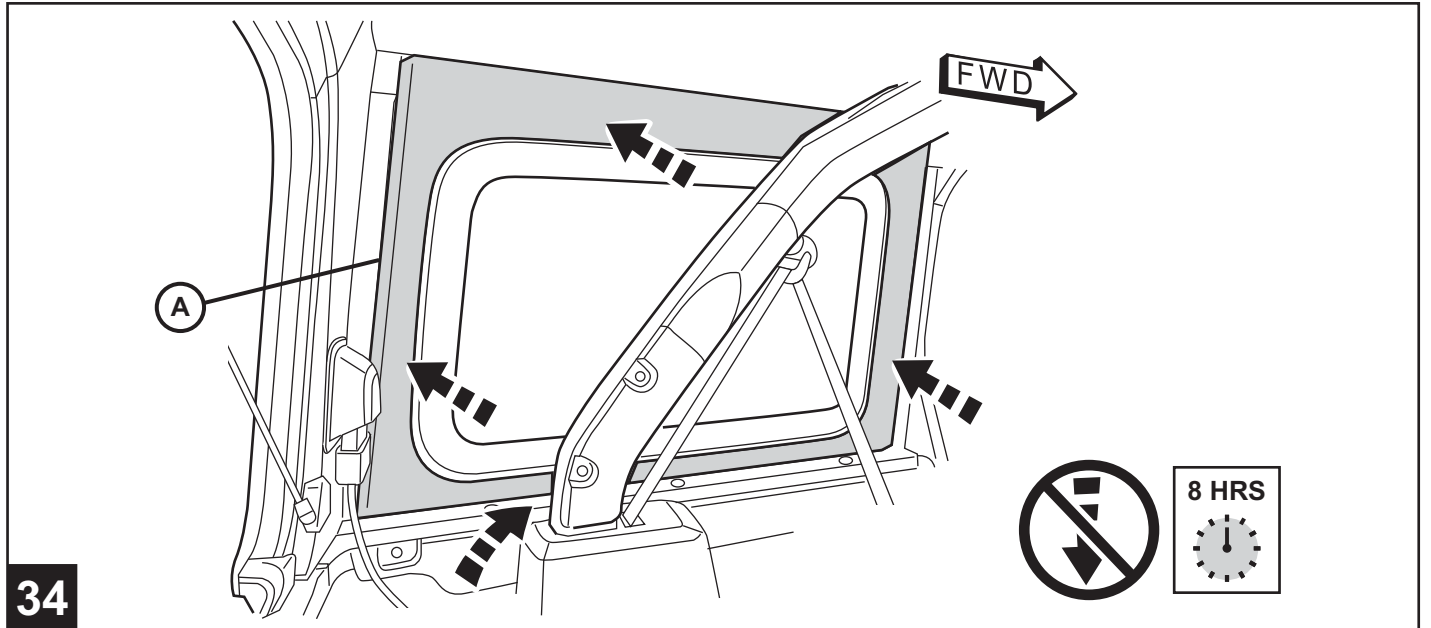
31

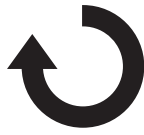
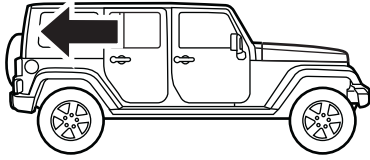


32

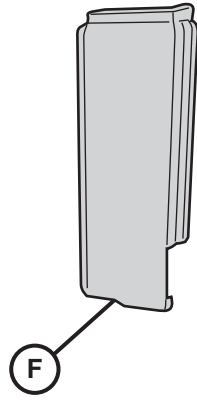


33

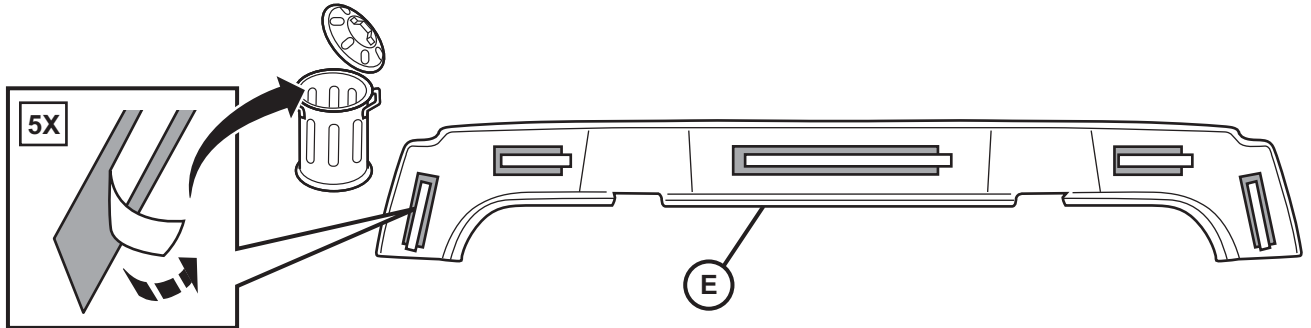




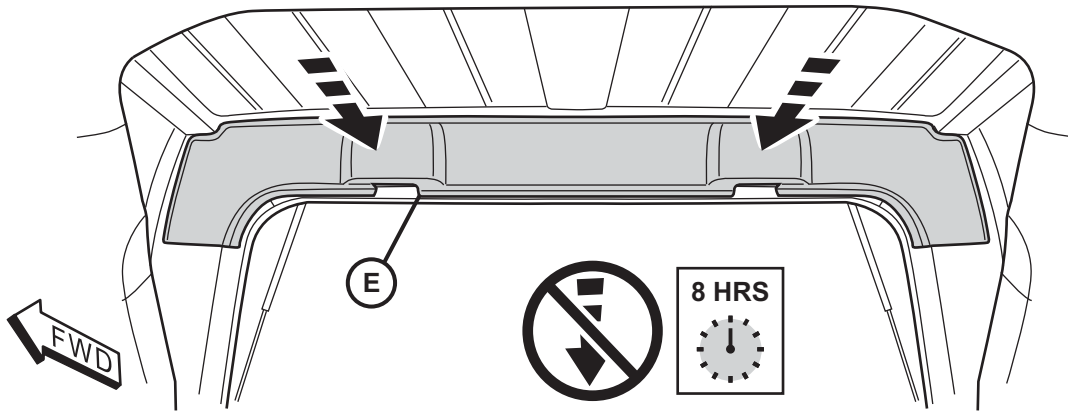
36 → 37



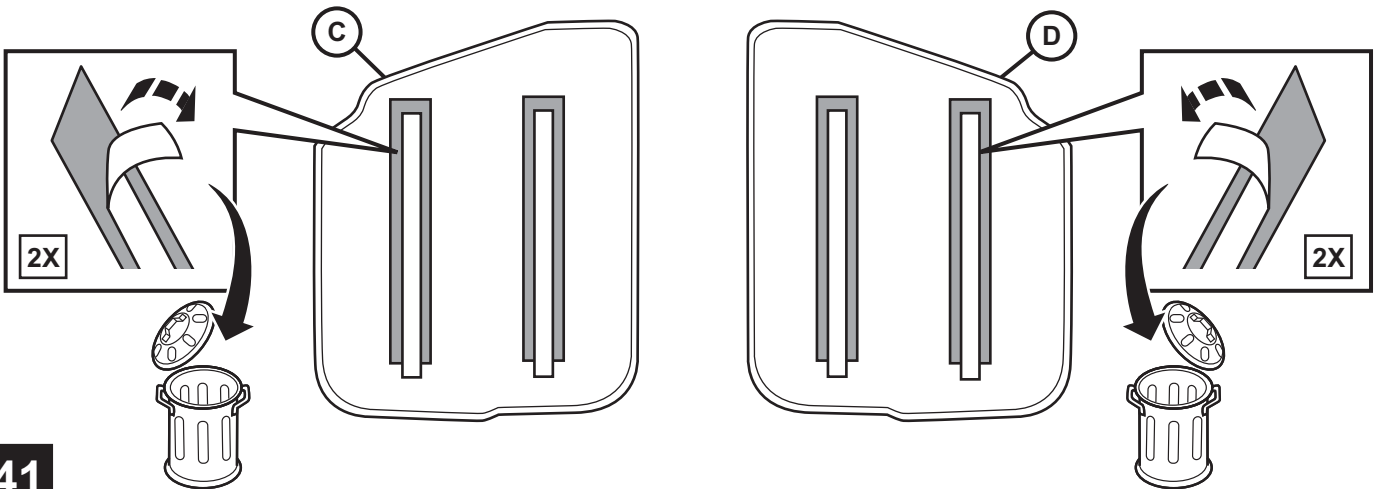
38



39

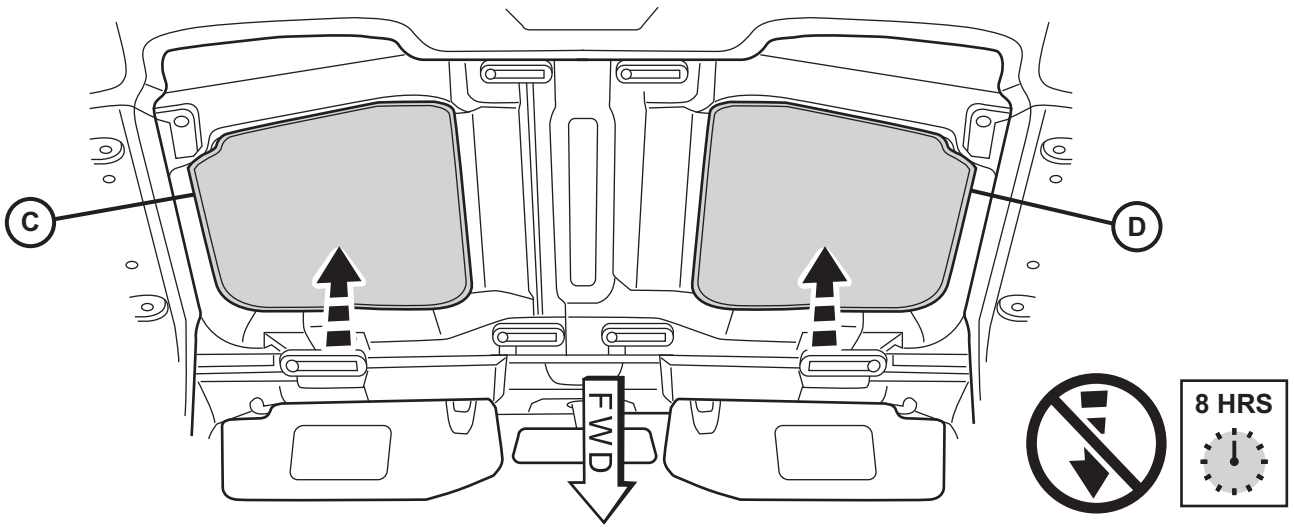


40

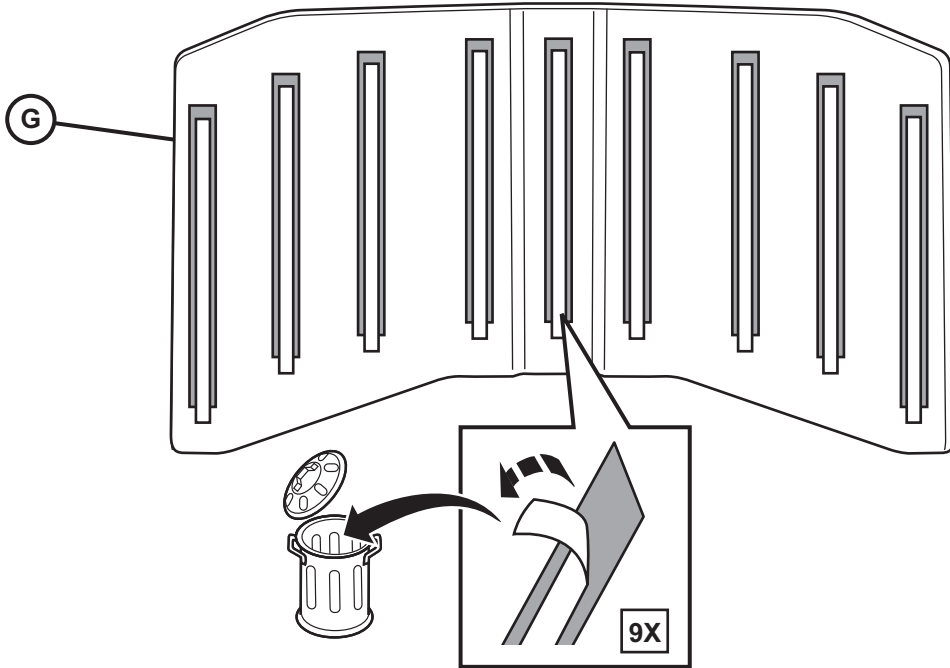


41

42



43



44

