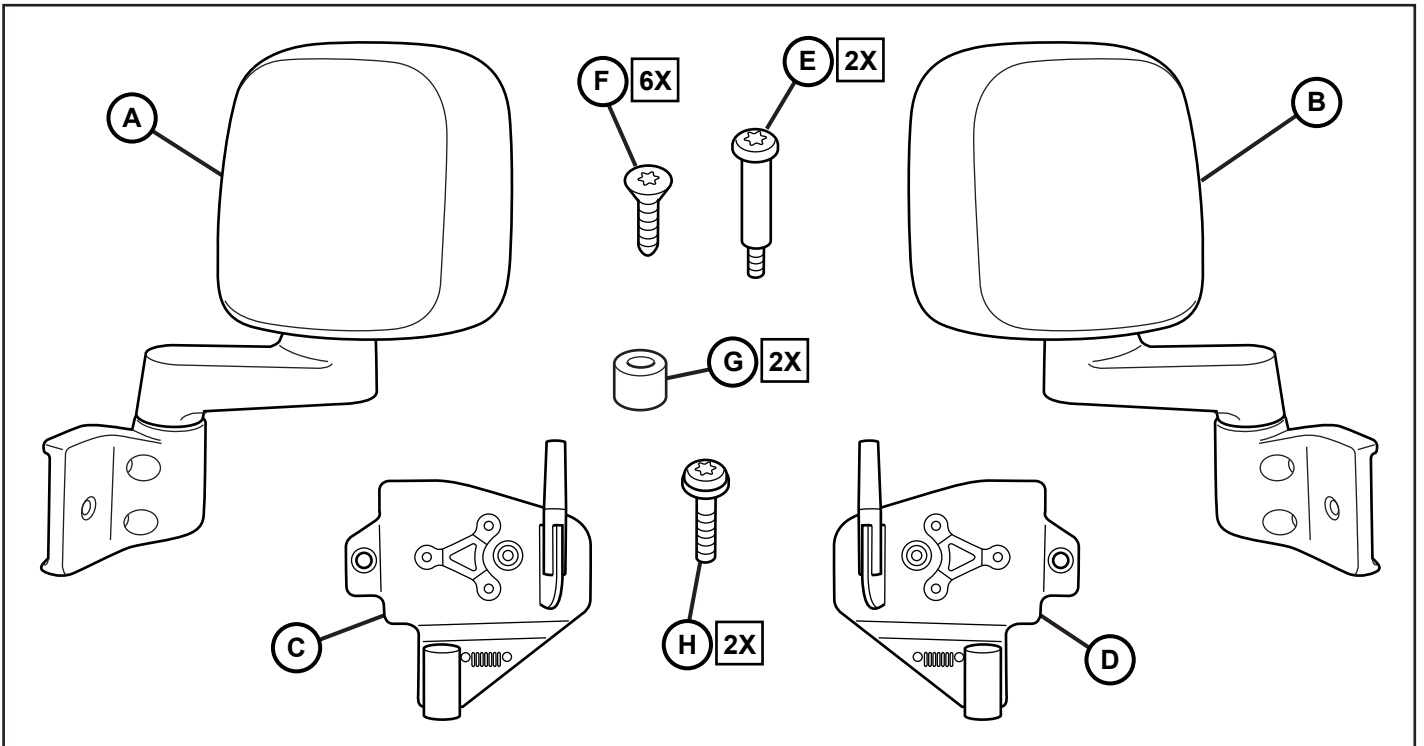




TRAIL MIRROR

JEEP WRANGLER / GLADIATOR

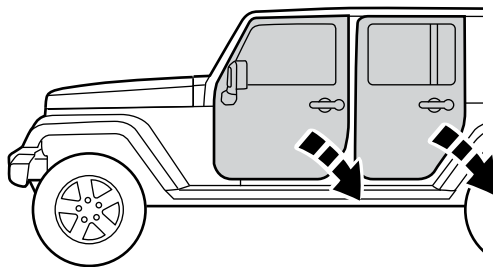
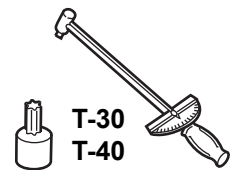
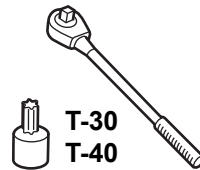
www.mopar.com



REQUIRED TO INSTALL THIS KIT:

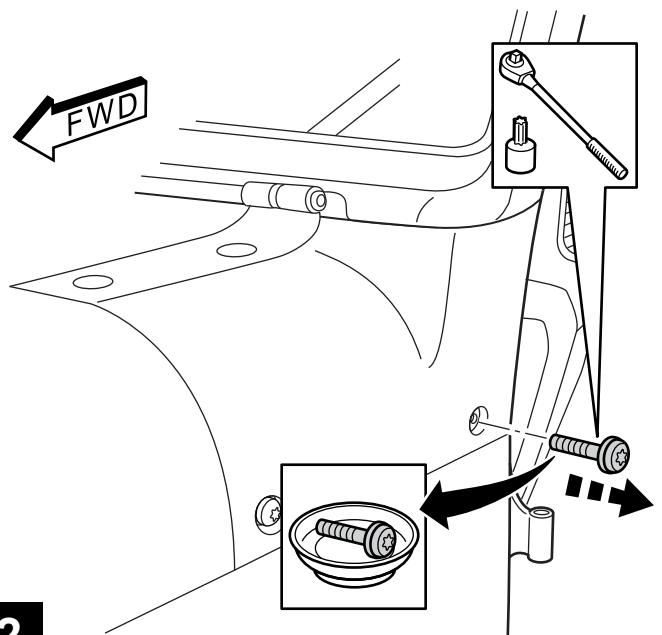
- 1) FRONT DOOR REMOVAL
- 2) REAR DOOR REMOVAL (FOUR-DOOR MODELS)

NOTE: FOR REMOVAL INSTRUCTIONS, REFER TO THE JEEP WRANGLER SERVICE MANUAL



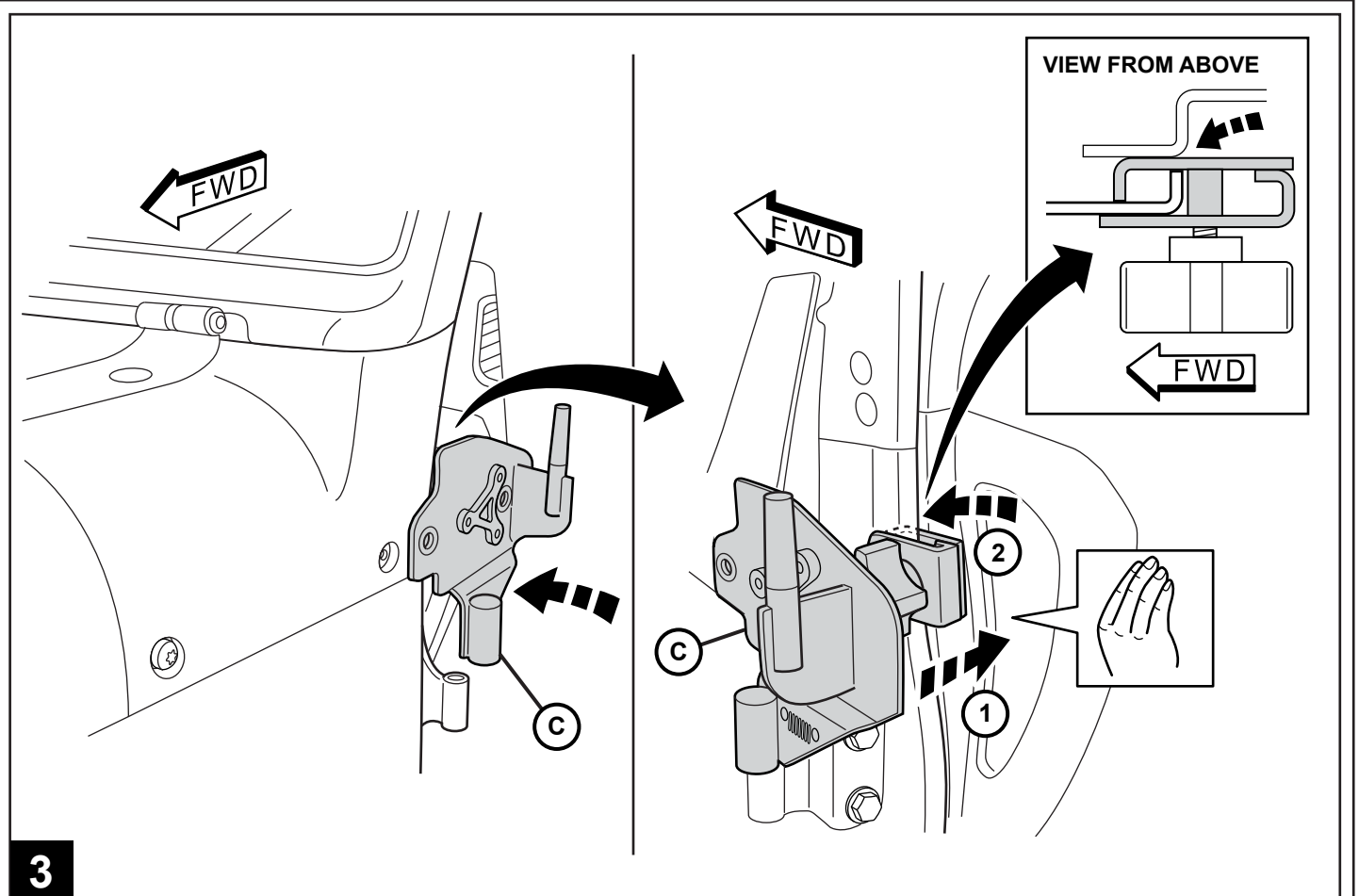
WARNING!

- FOR USE DURING OFF-ROAD OPERATION ONLY
- ALL OCCUPANTS MUST WEAR SEAT BELTS DURING OPERATION WITH TUBE DOORS
- DO NOT STORE DETACHED DOORS INSIDE THE VEHICLE AS THEY MAY CAUSE PERSONAL INJURY IN THE EVENT OF AN ACCIDENT

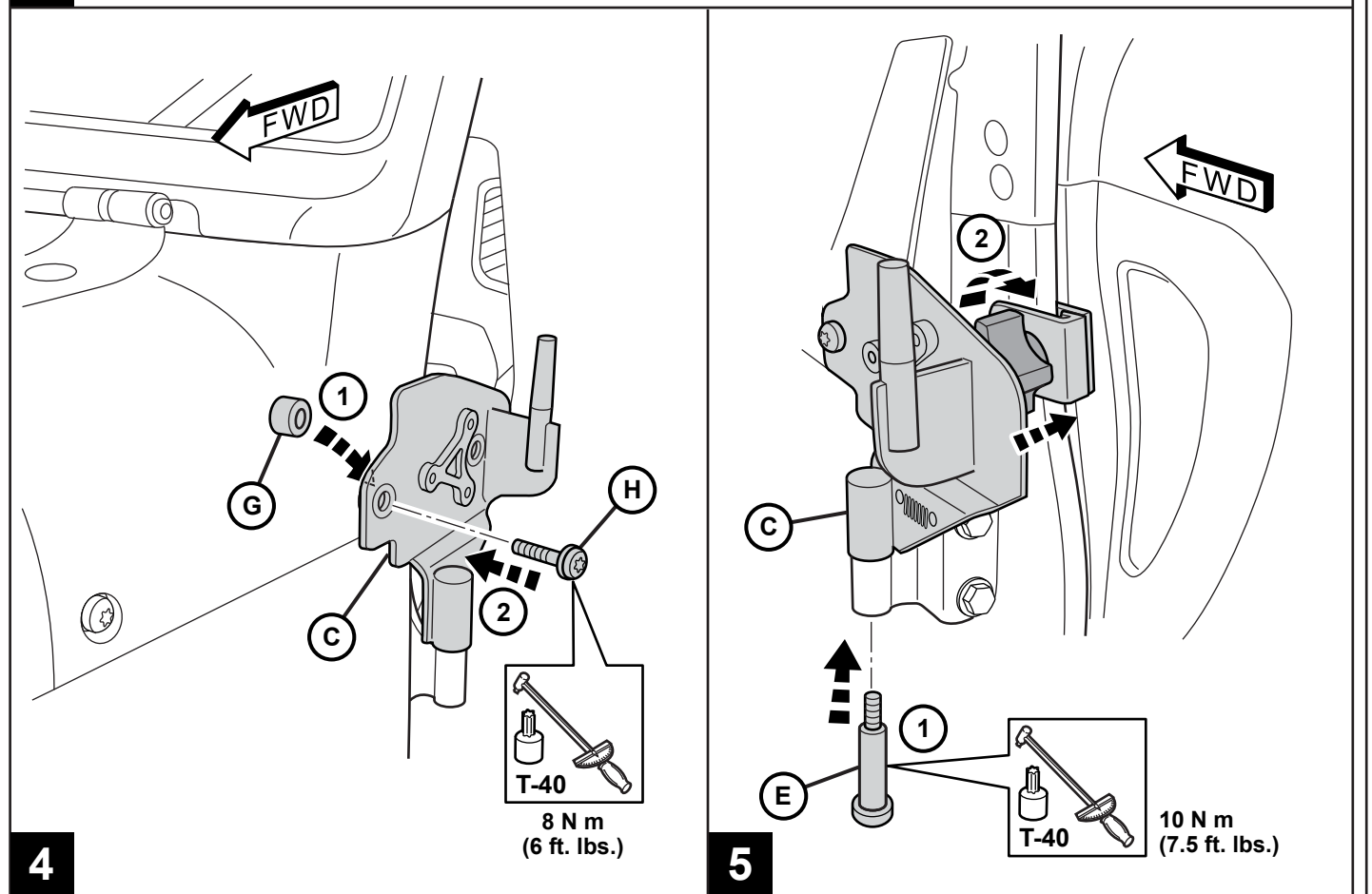


1

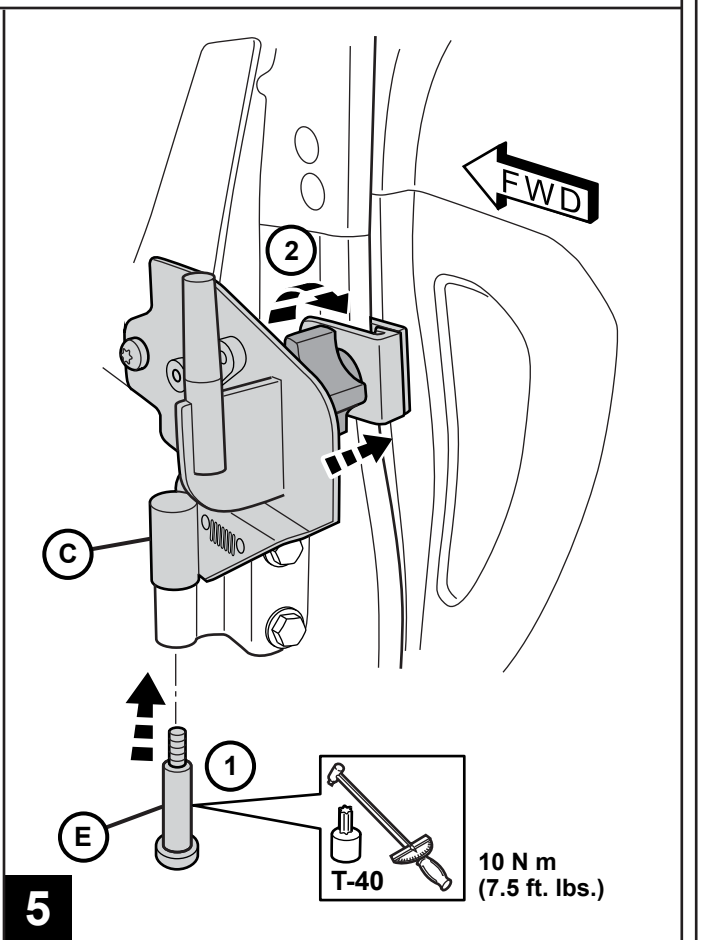
2



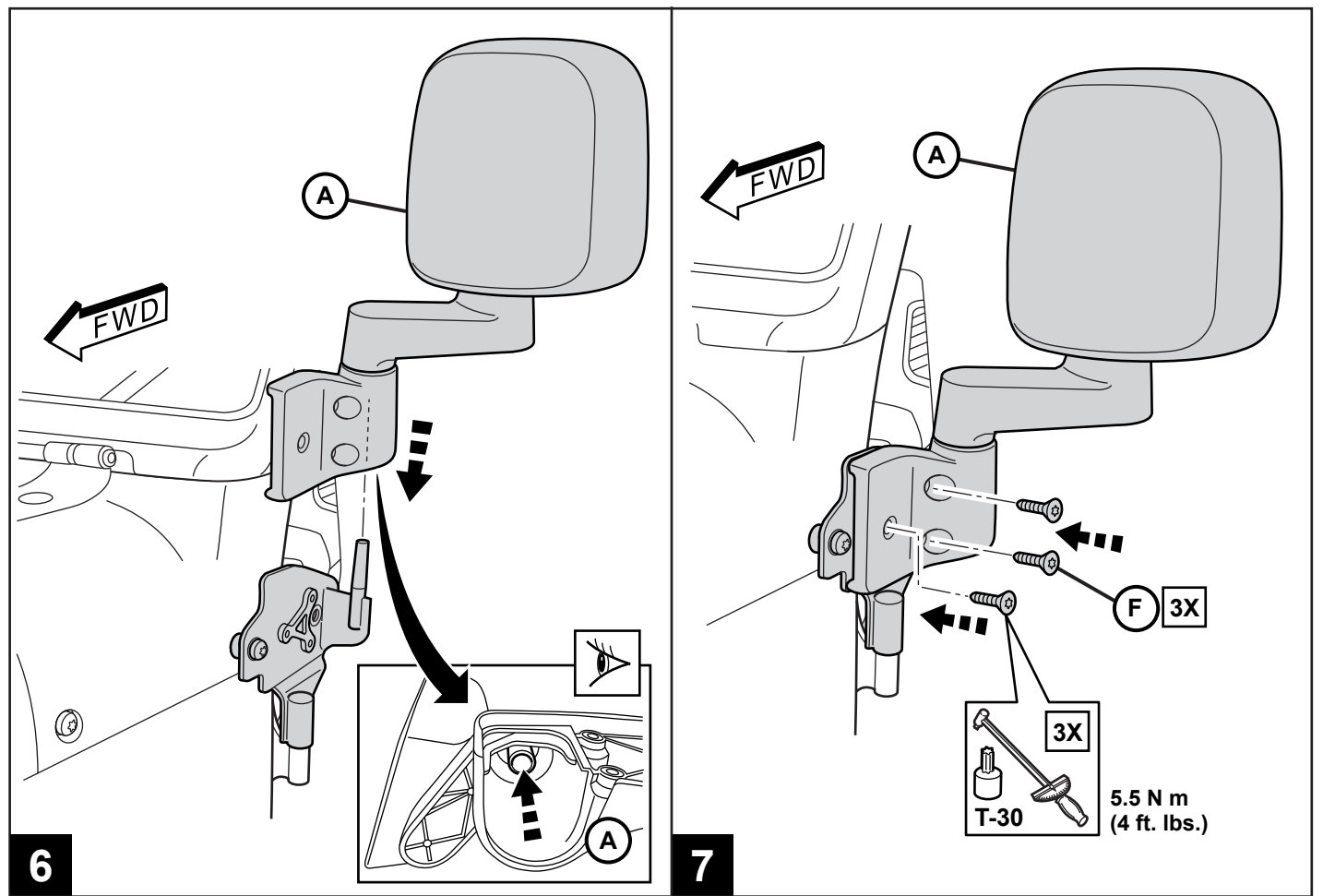
3



4



5



REPEAT STEPS 2 THROUGH 7 ON OPPOSITE SIDE USING PARTS (B) AND (D)

