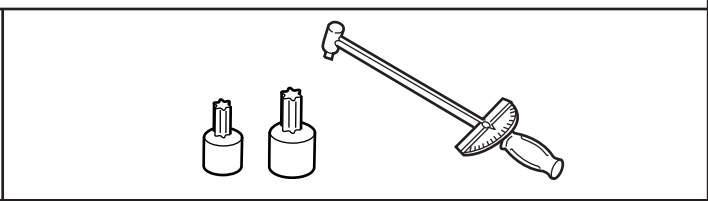
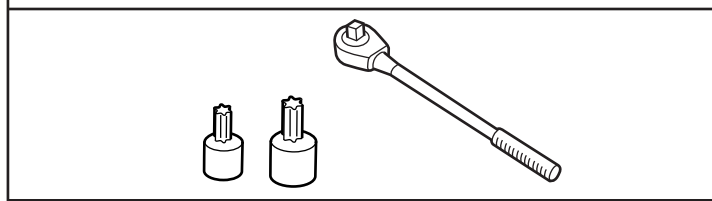
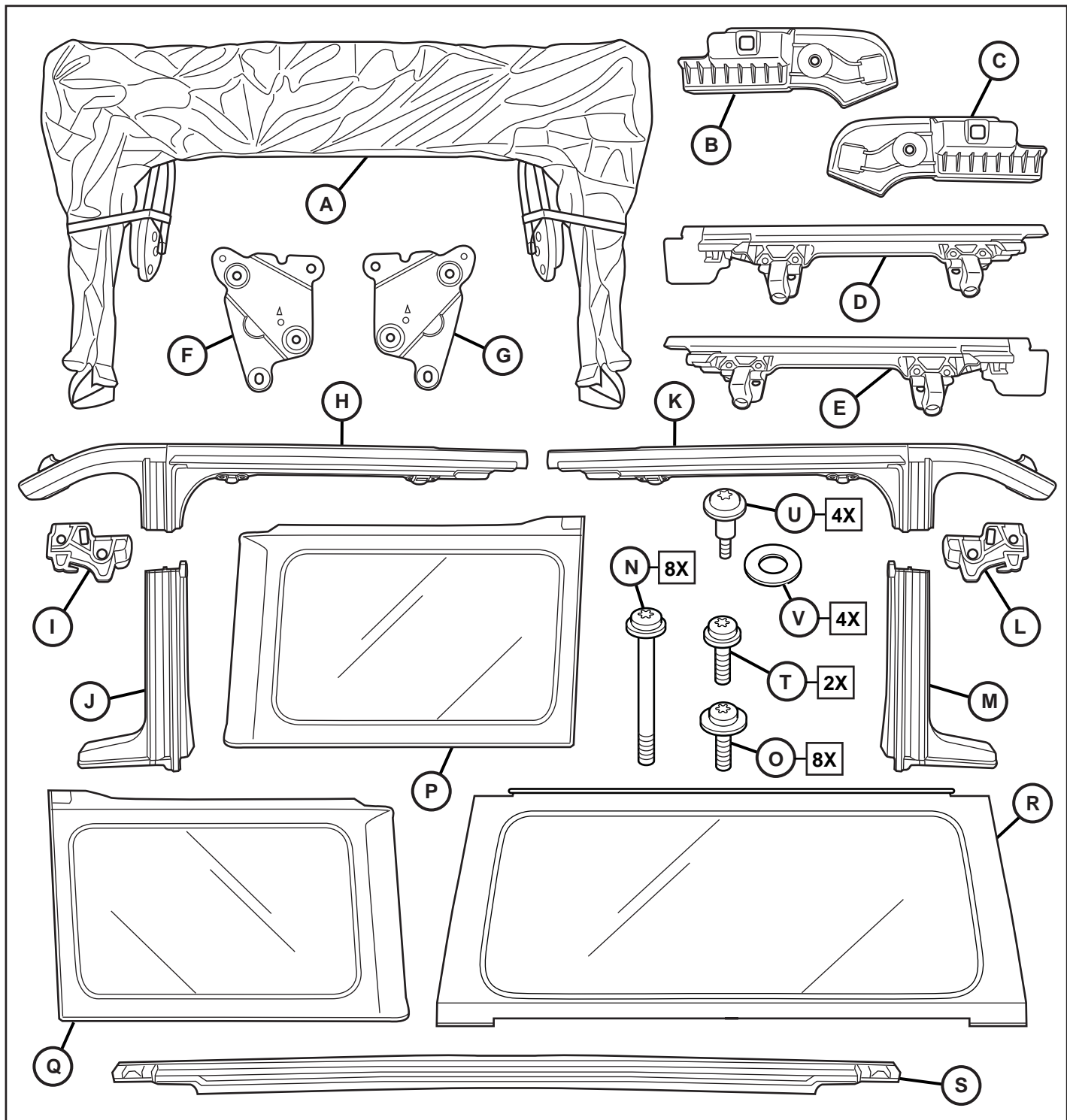
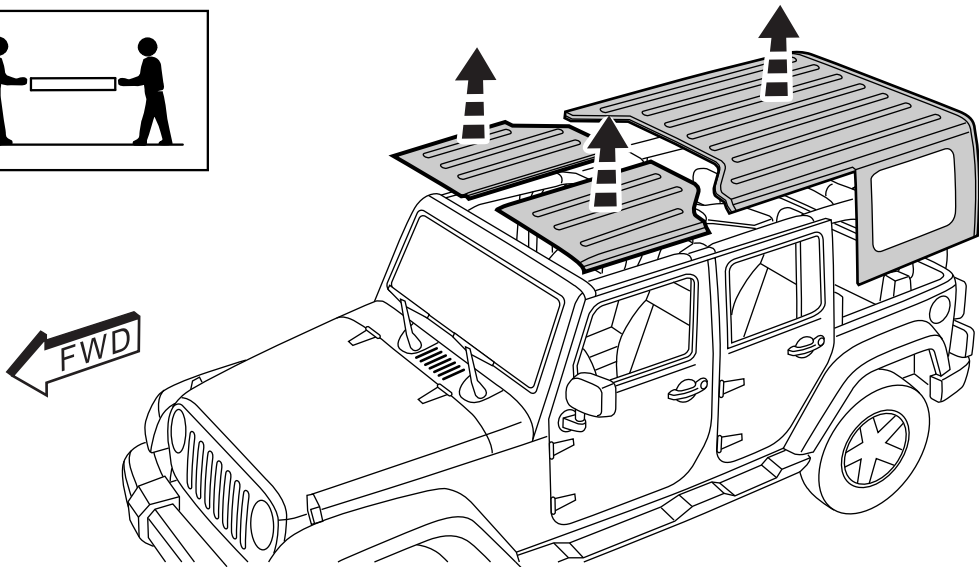
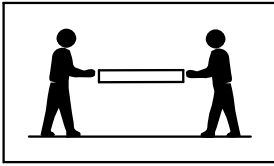




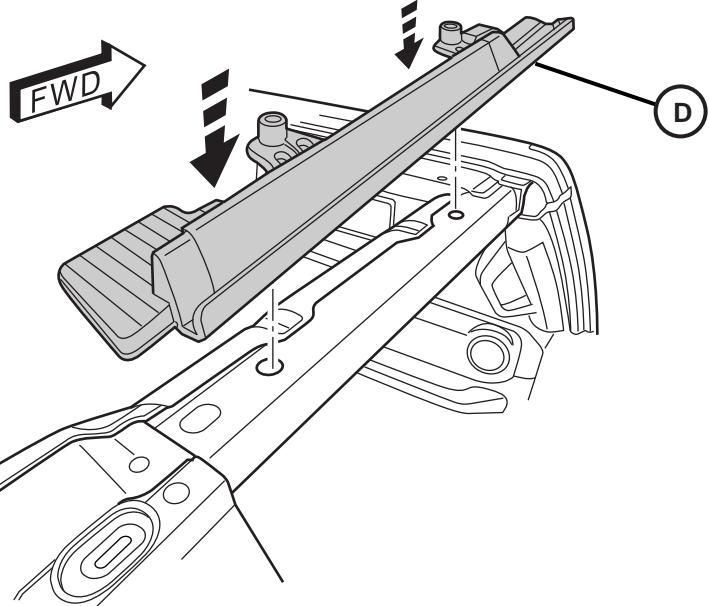
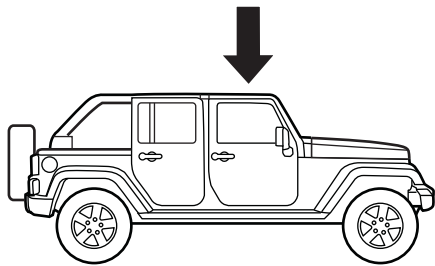
4-DOOR SOFT TOP JEEP WRANGLER

www.mopar.com

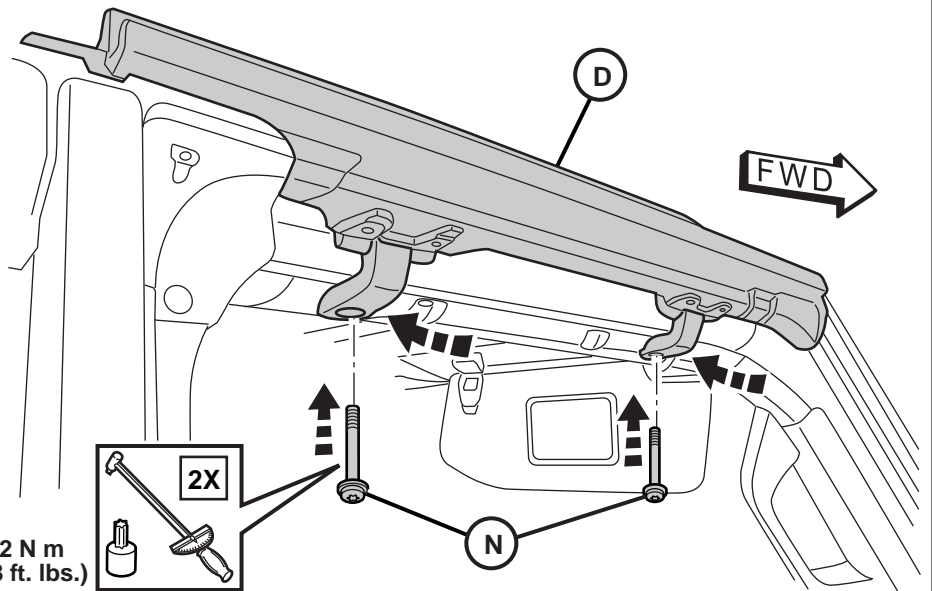
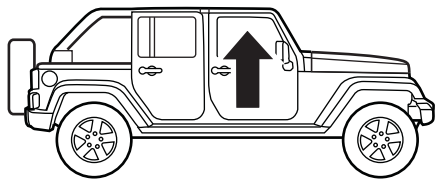




1

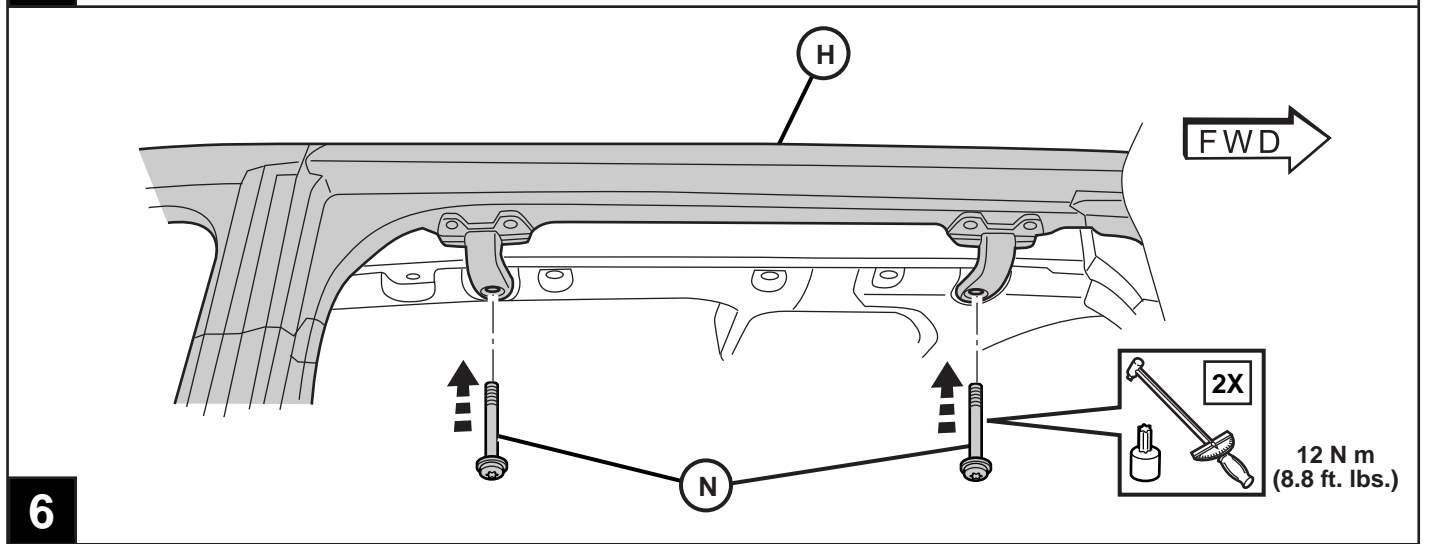
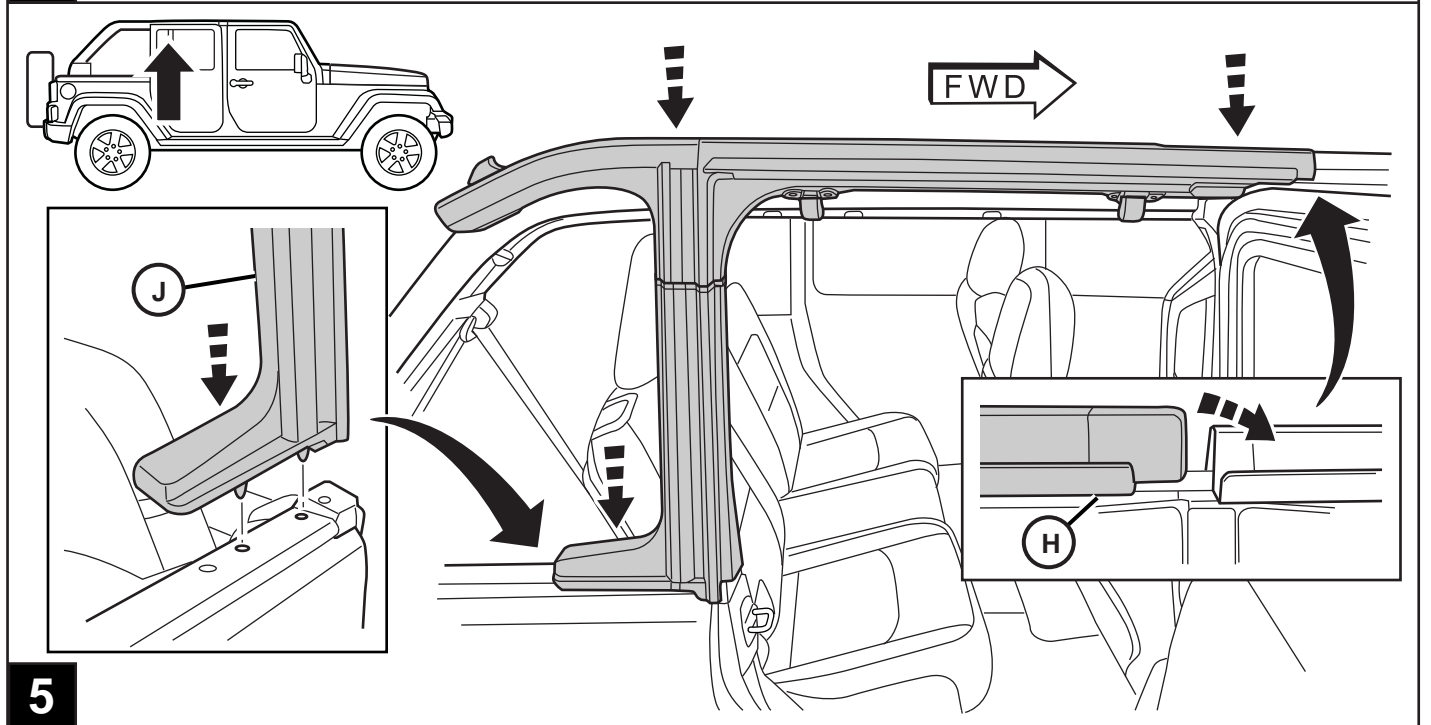
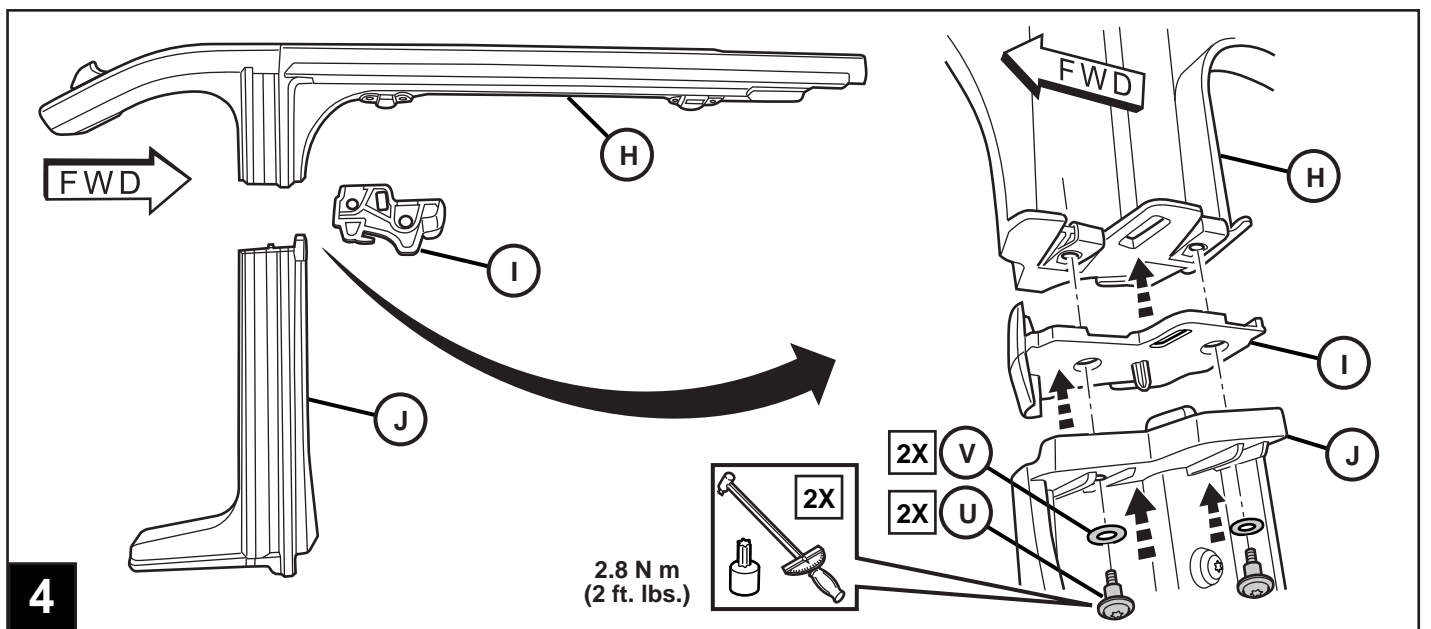


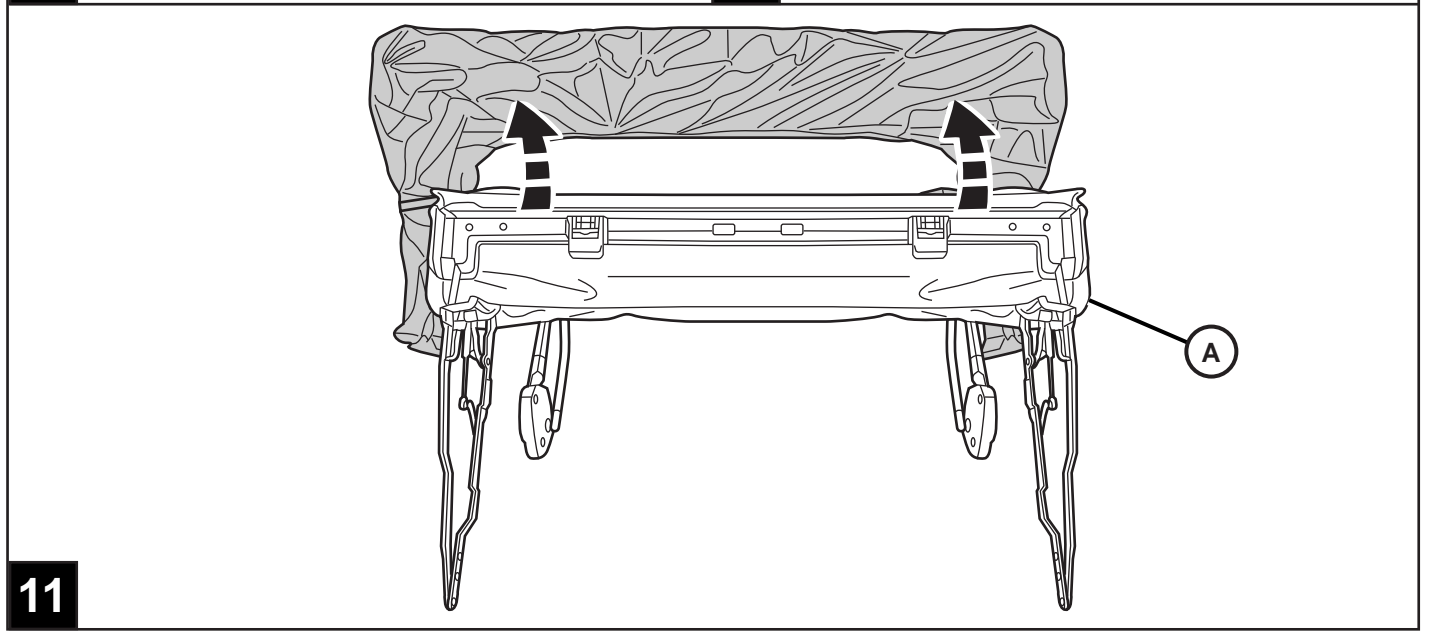
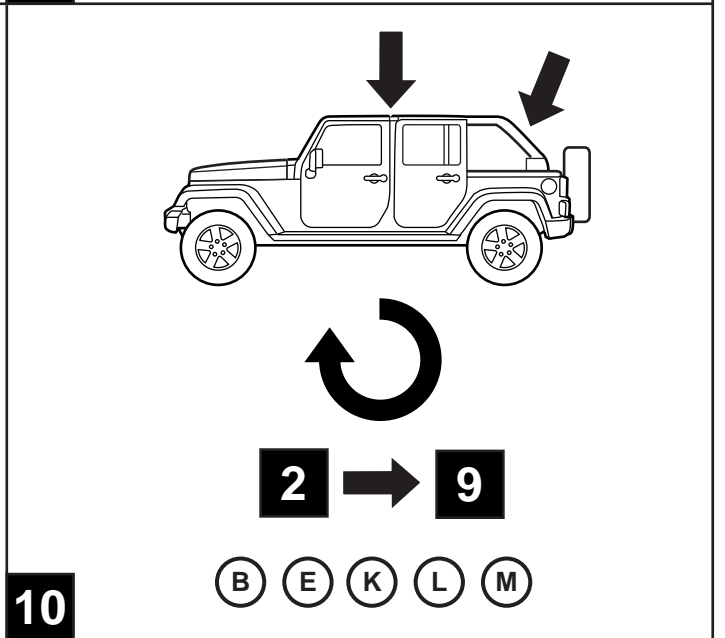
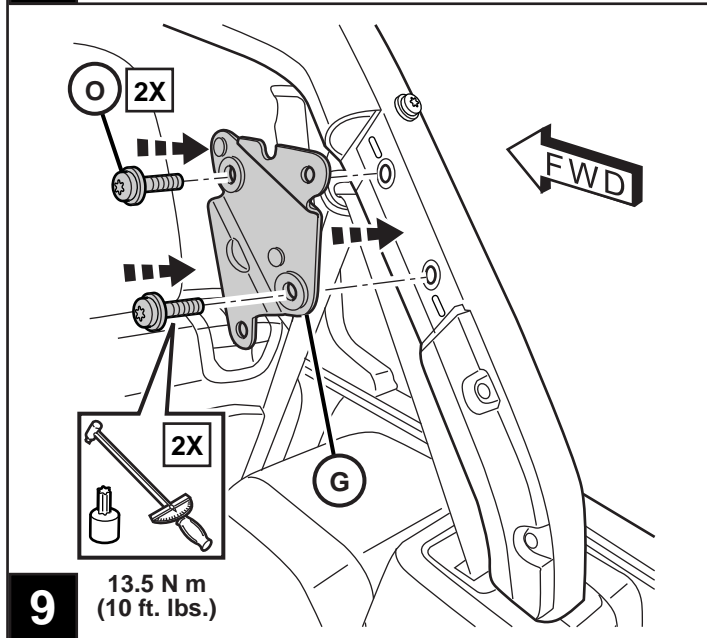
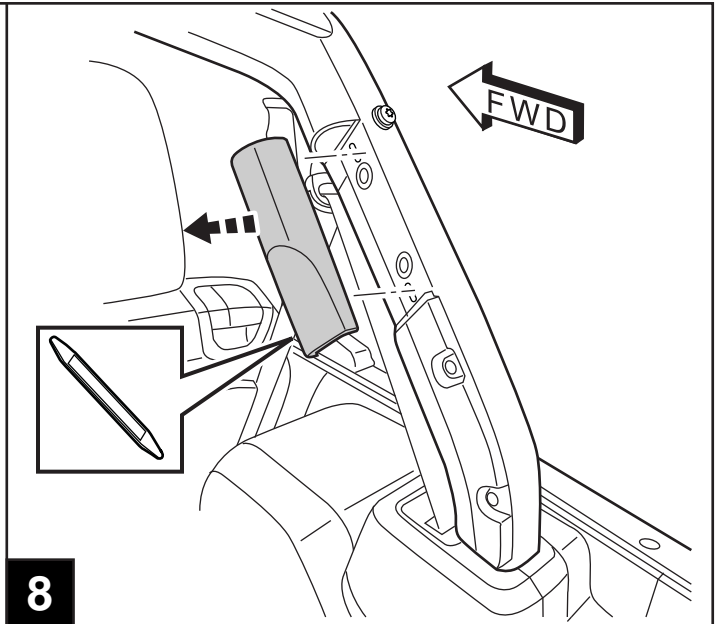
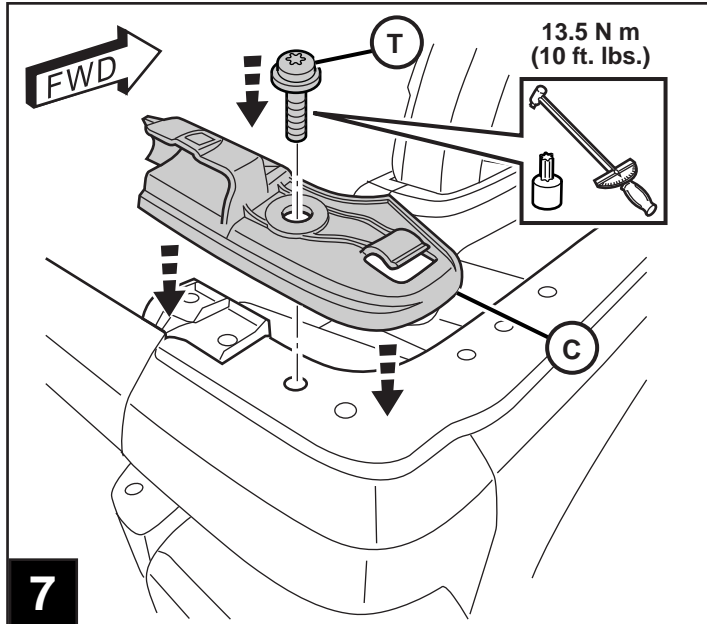
2

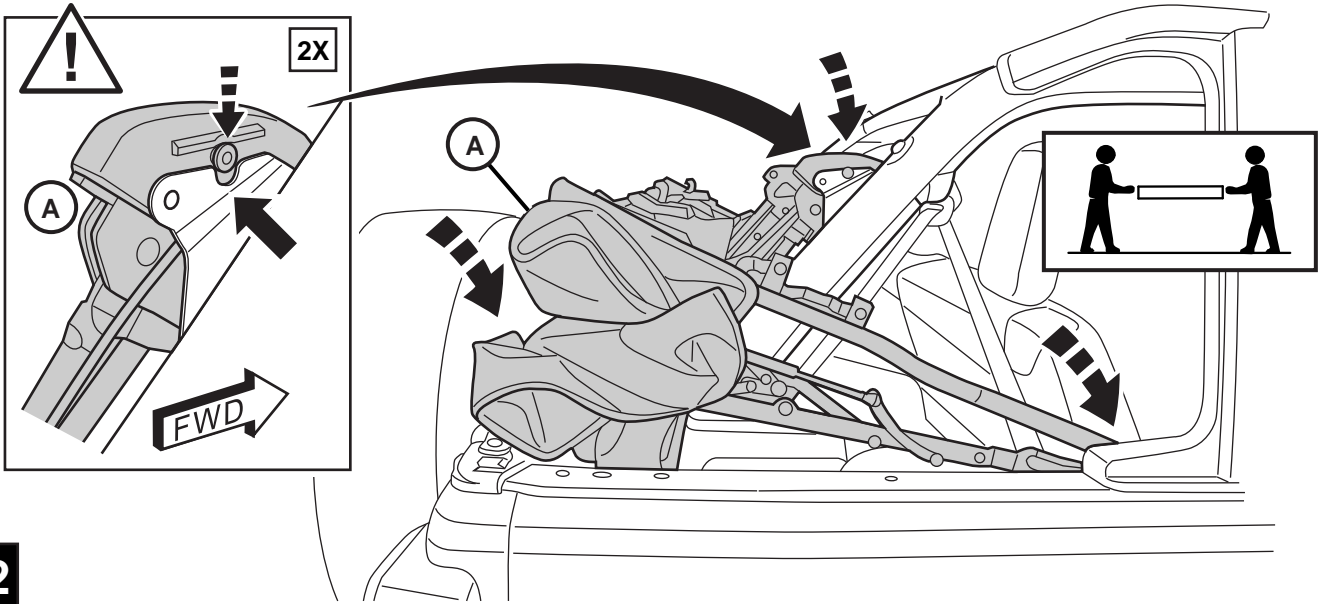


12 N m
(8.8 ft. lbs.)

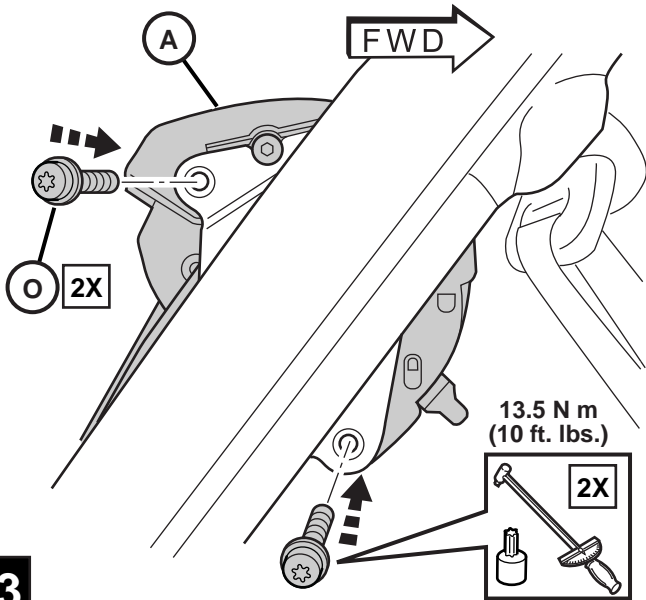
3



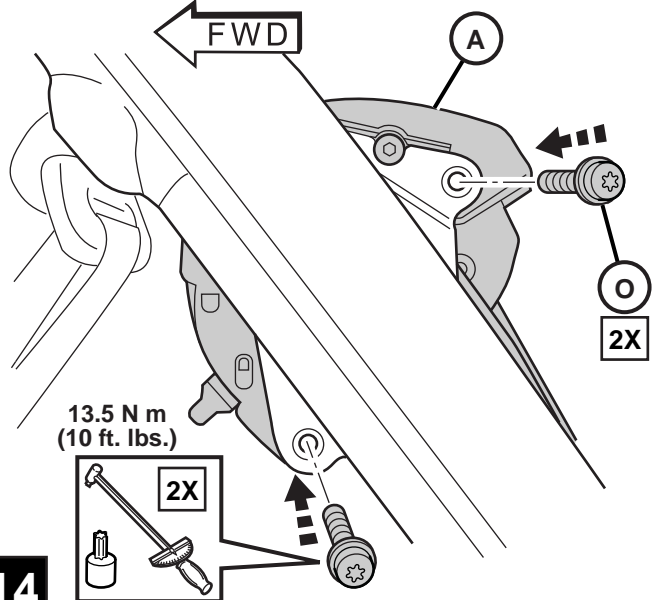




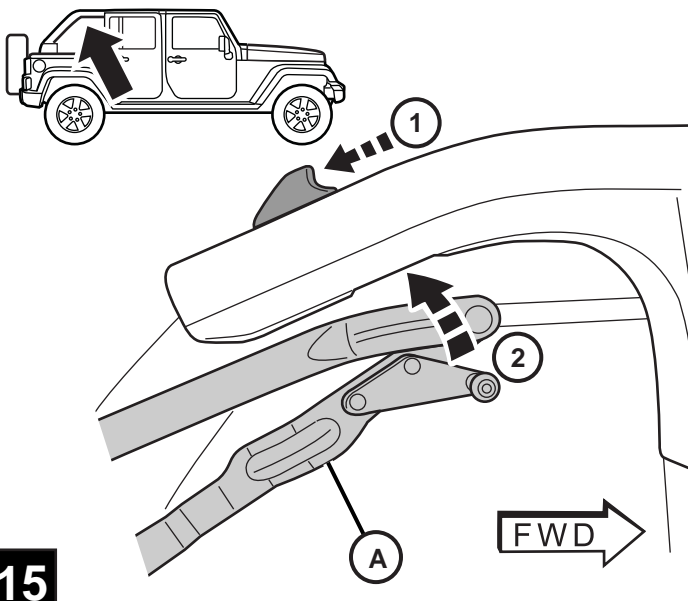
12



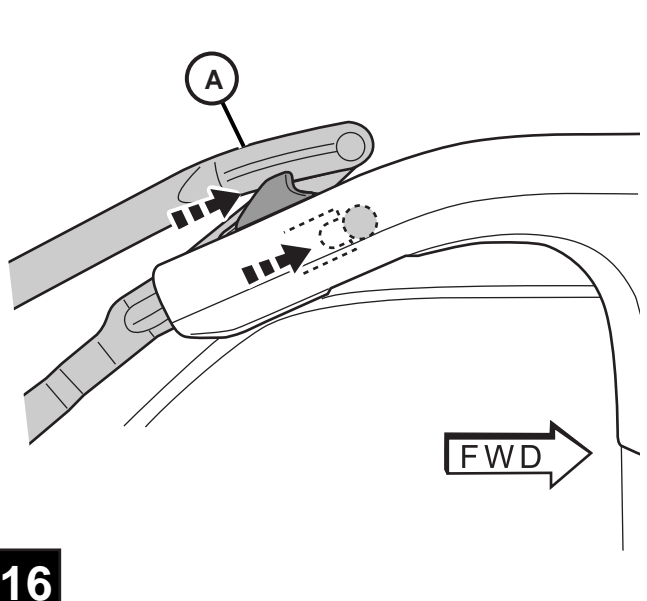
13



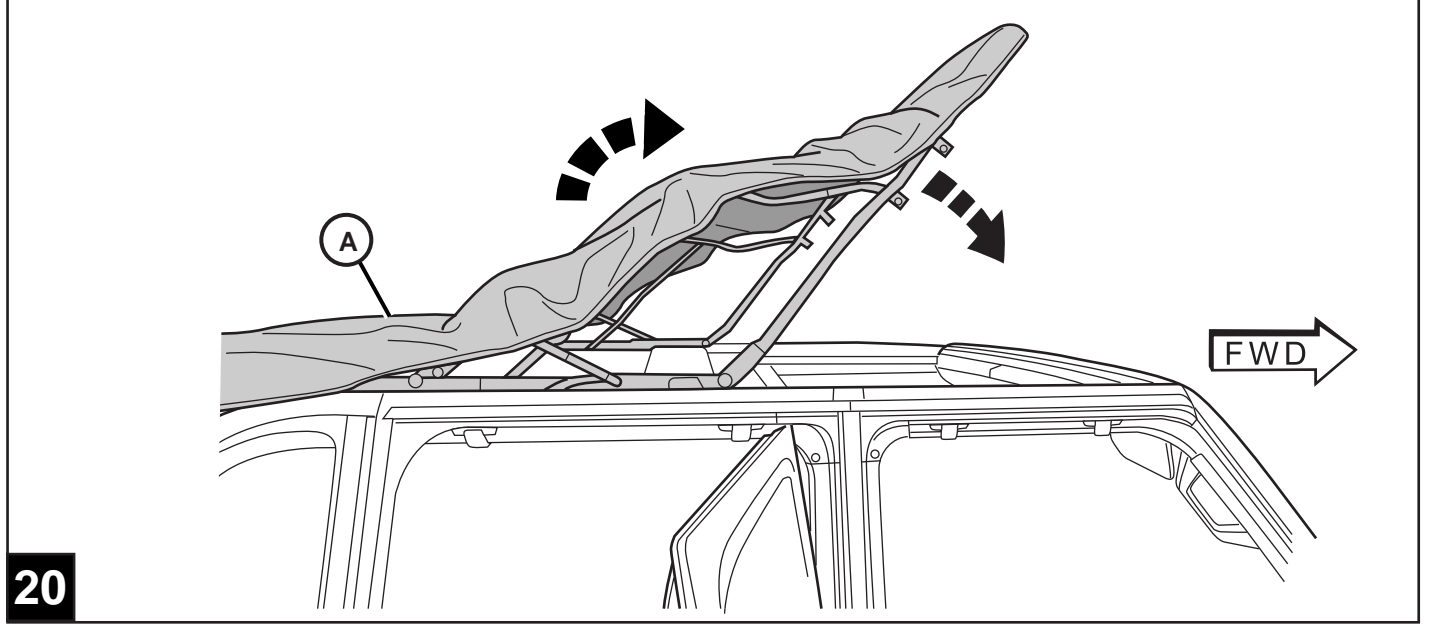
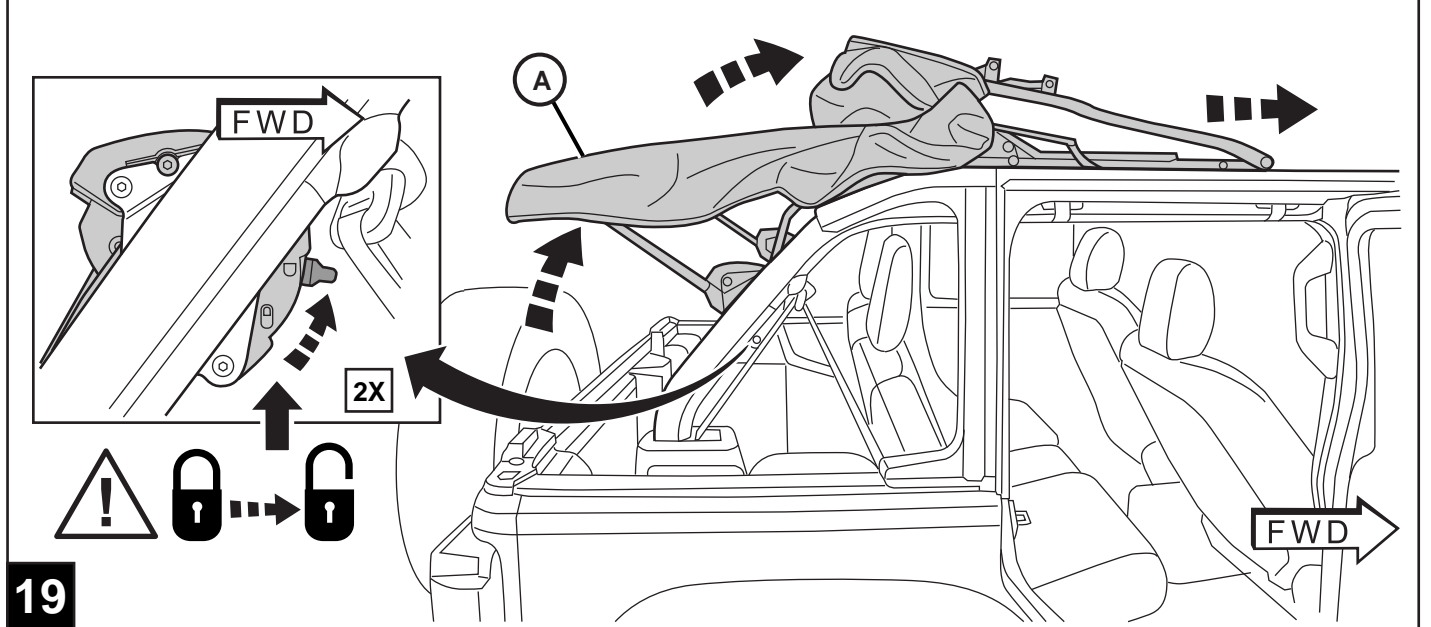
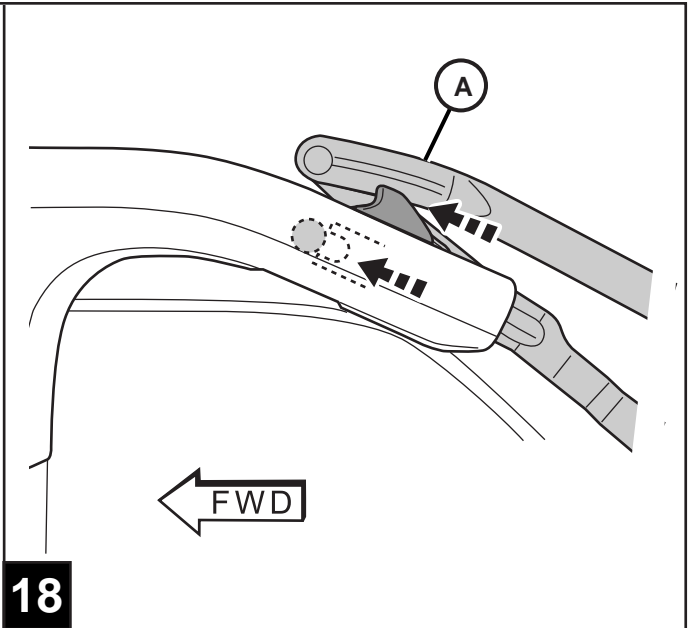
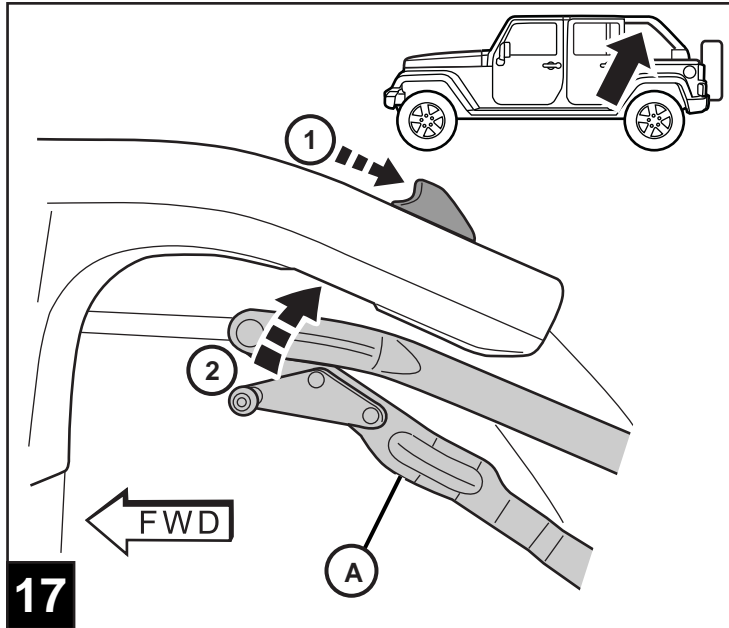
14

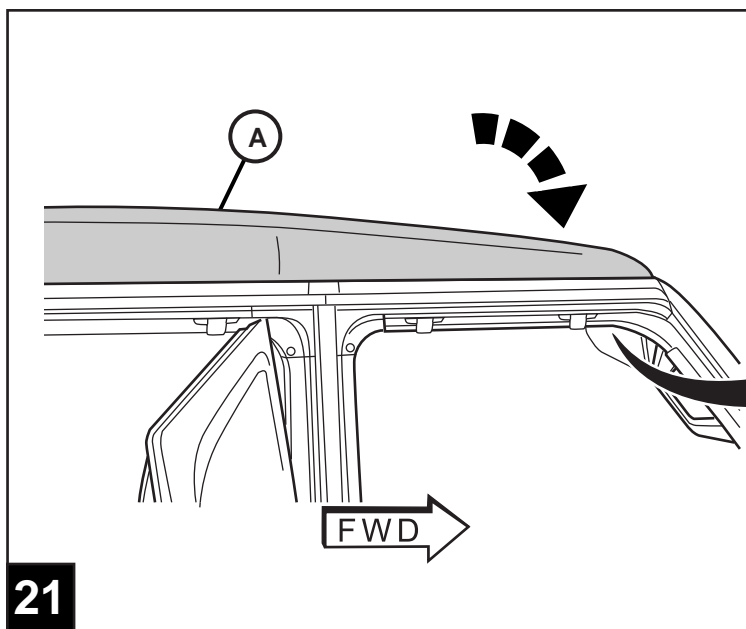


15

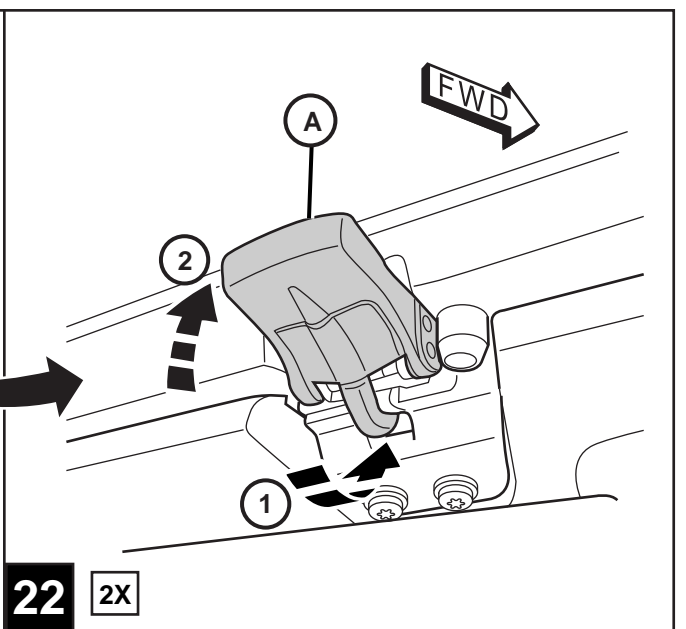


16



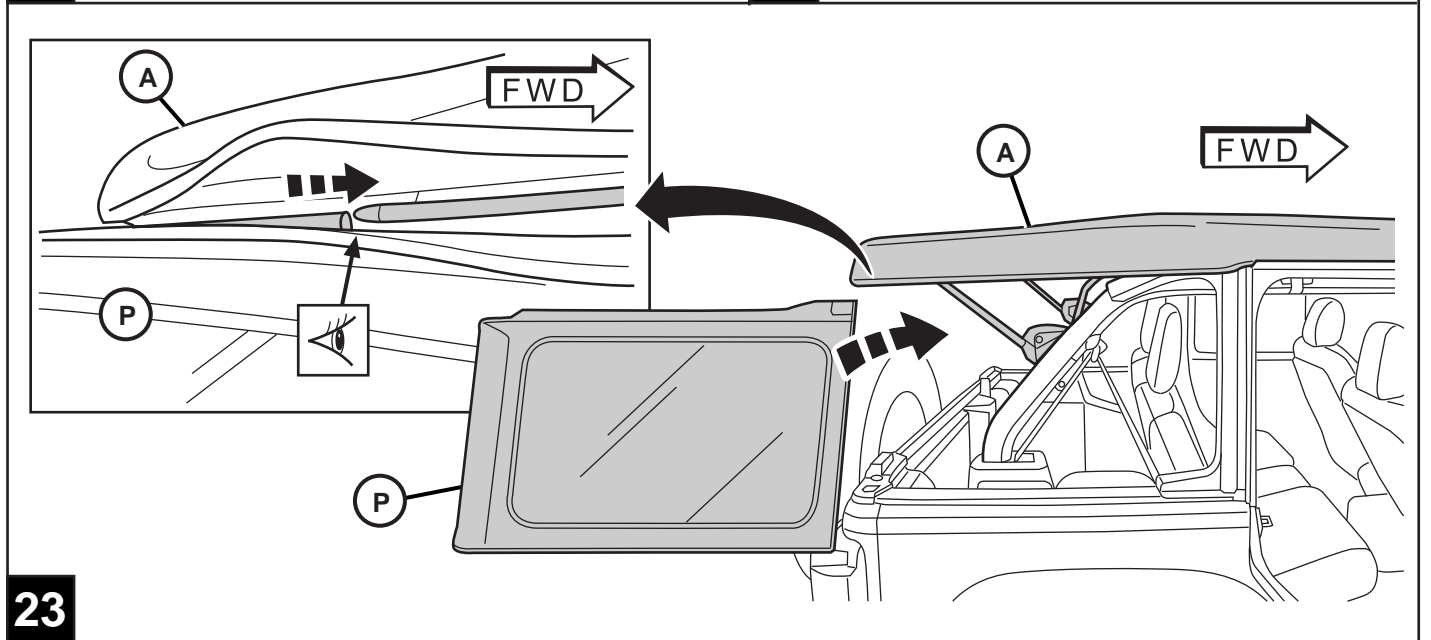


21

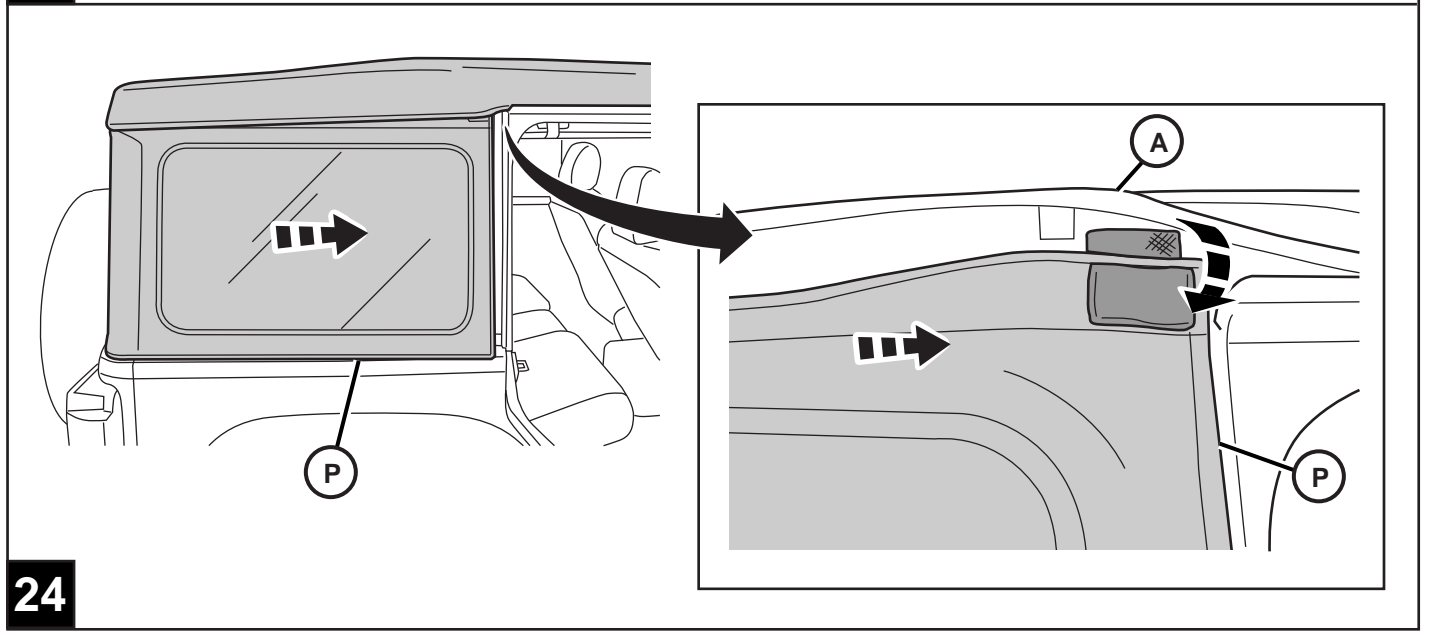


22

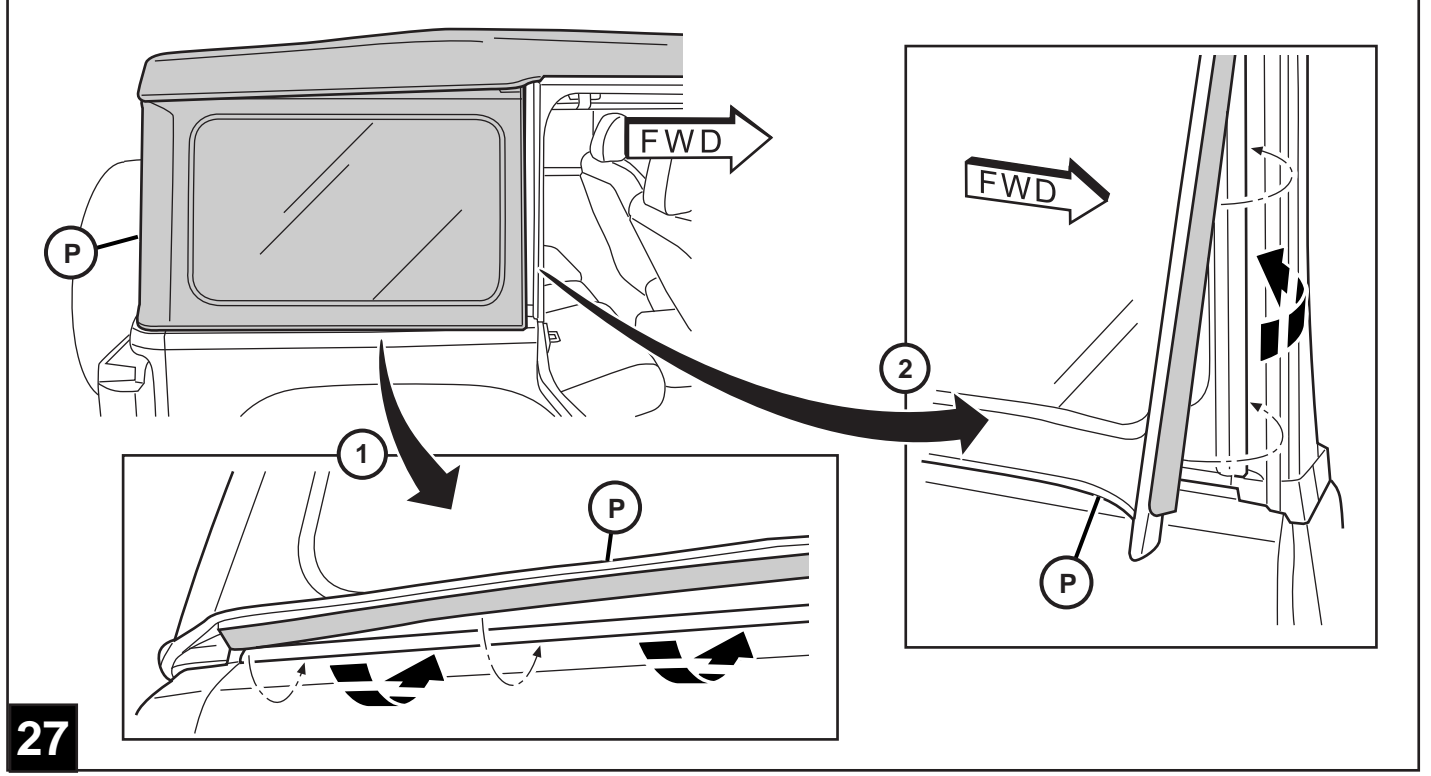
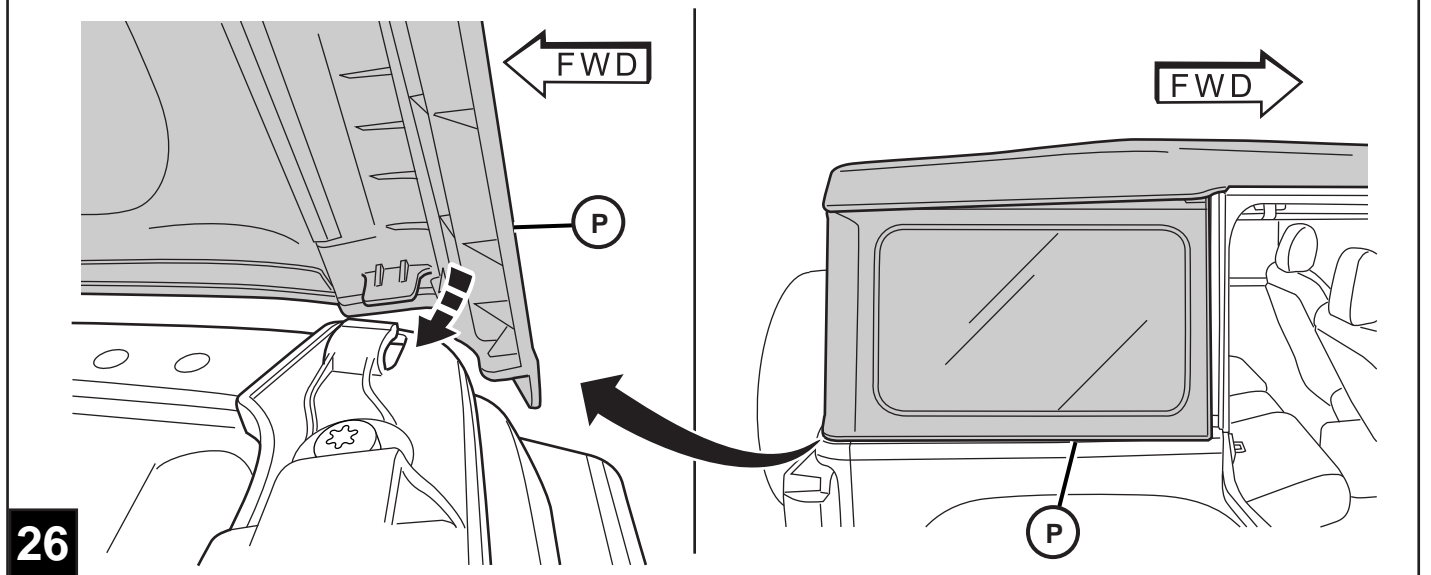
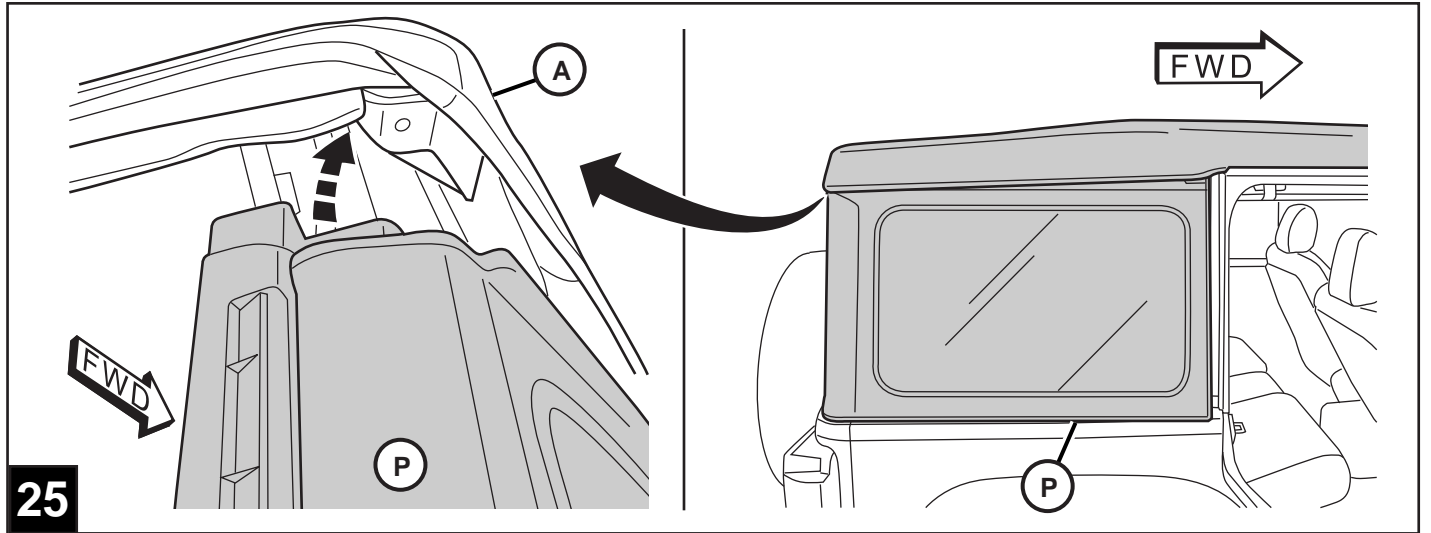
2X

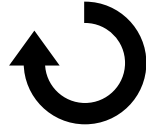
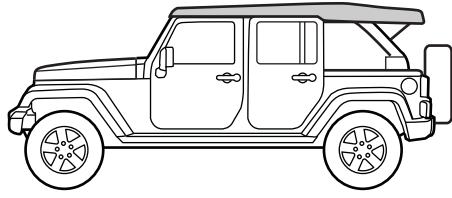


23

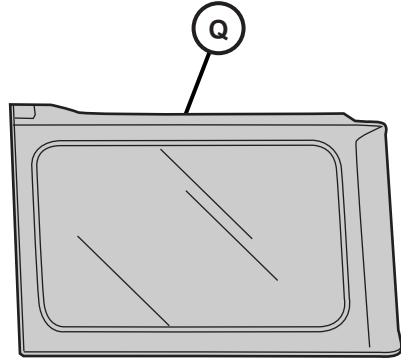


24

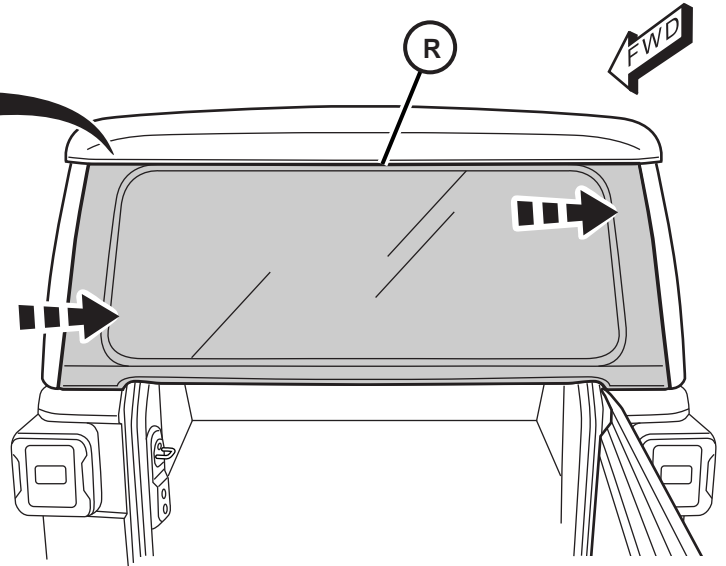
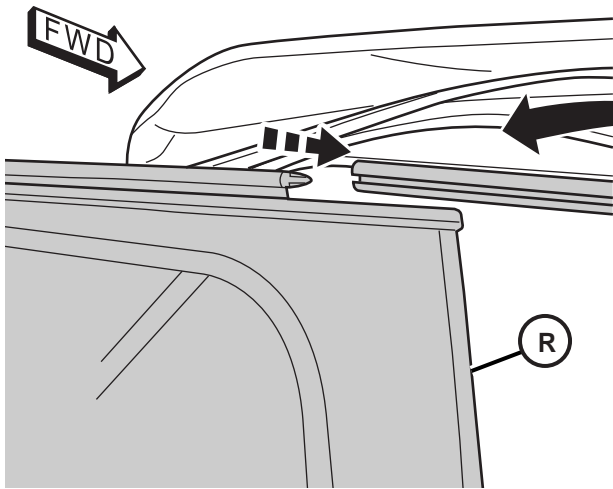




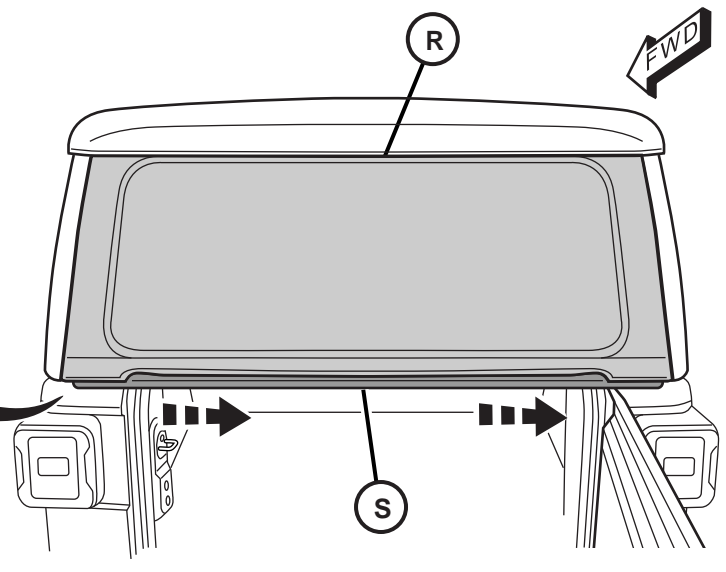
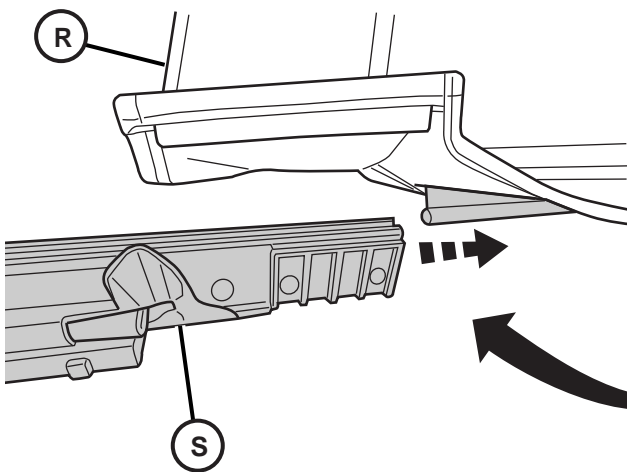
23 → 27



28



29



30

