

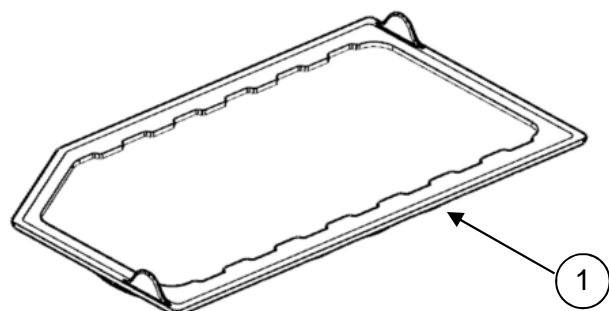


# Drop-in Prefilter

## Wrangler / Gladiator

www.mopar.com

### KIT ITEM



### TOOLS REQUIRED



Socket Wrench



Socket 8mm



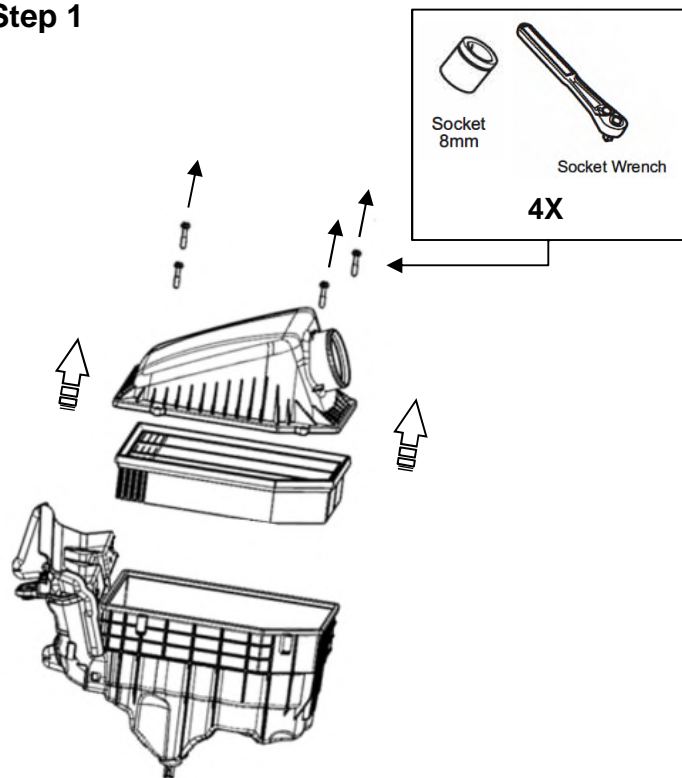
Torque Wrench

### PARTS LIST

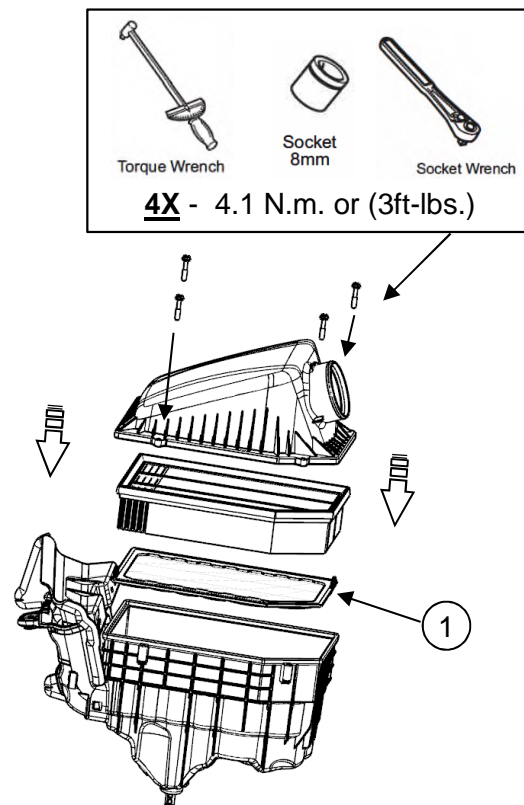
Callout	Description	Parts	Quantity
1	Drop in Prefilter	Supplied in kit 82216440AA	1

### PROCEDURAL STEPS

#### Step 1



#### Step 2



**CLEANING:** Remove and clean as required. Tap frame to loosen sand. Use soap, water and soft bristle brush as needed. Do not use compressed air, wire brush or harsh chemical.

**CAUTION:** Kit intended to filter sand size particles out before the air filter element to help extend the life of the filter. It is not intended to replace the air filter altogether.

**CAUTION:** Not intended for freezing weather. Filter can become clogged with ice if left installed.

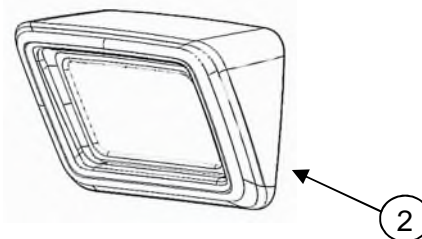
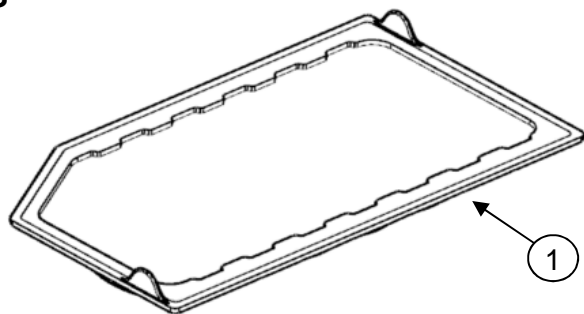


# Snorkel Prefilter Kit

Wrangler/Gladiator

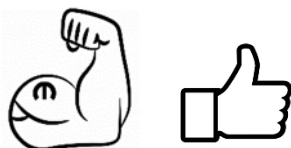
www.mopar.com

## KIT ITEMS

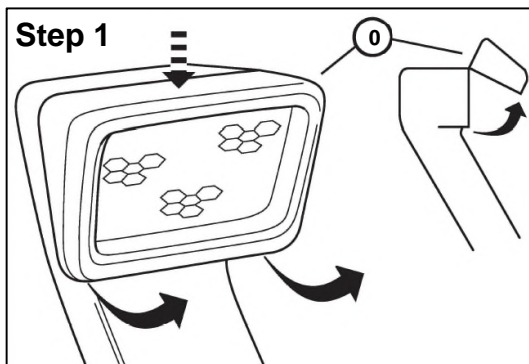


Callout	Description	Parts	Quantity
1	Drop in Prefilter	Supplied in Kit 82216439AA	1
2	Snorkel Cap Prefilter	Supplied in Kit 82216439AA	1

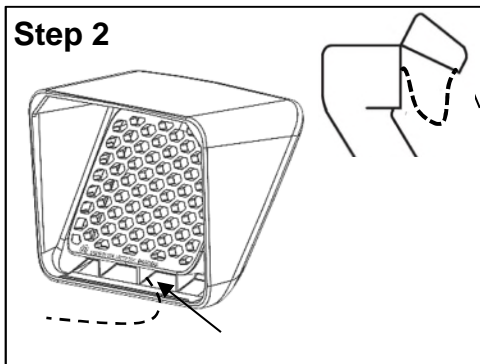
## TOOLS REQUIRED



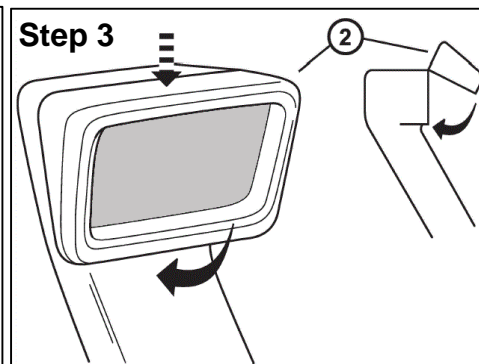
## PROCEDURAL STEPS



1. To remove bezel, push down from top of bezel (0), and roll out the bottom



2. Disconnect wire from bezel (0) and connect to Bezel (2)



3. Install prefilter bezel (2) by pushing down on the top and snap in the bottom

**CLEANING:** Remove and clean as required. Tap frame to loosen sand. Use soap, water and soft bristle brush as needed. Do not use compressed air, wire brush or harsh chemical.

**CAUTION:** Kit intended to filter sand size particles out before the air filter element to help extend the life of the filter. It is not intended to replace the air filter altogether.

**CAUTION:** Not intended for freezing weather. Filter can become clogged with ice if left installed.