

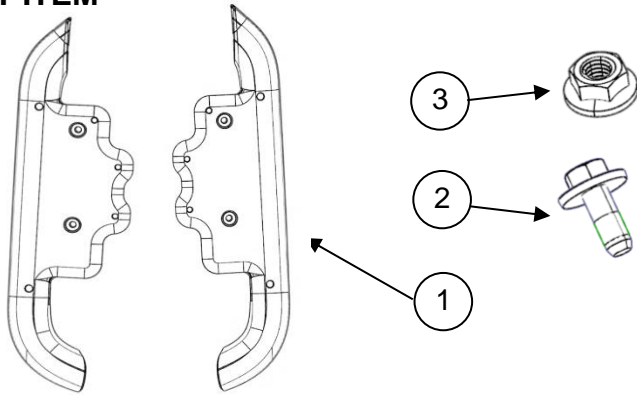


# Rear Rock Rail Trim

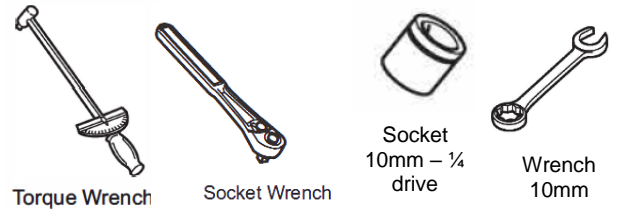
## Gladiator

www.mopar.com

### KIT ITEM



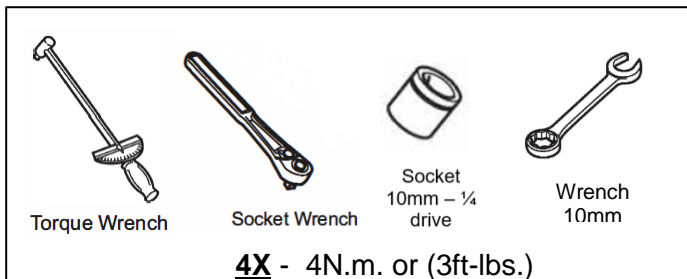
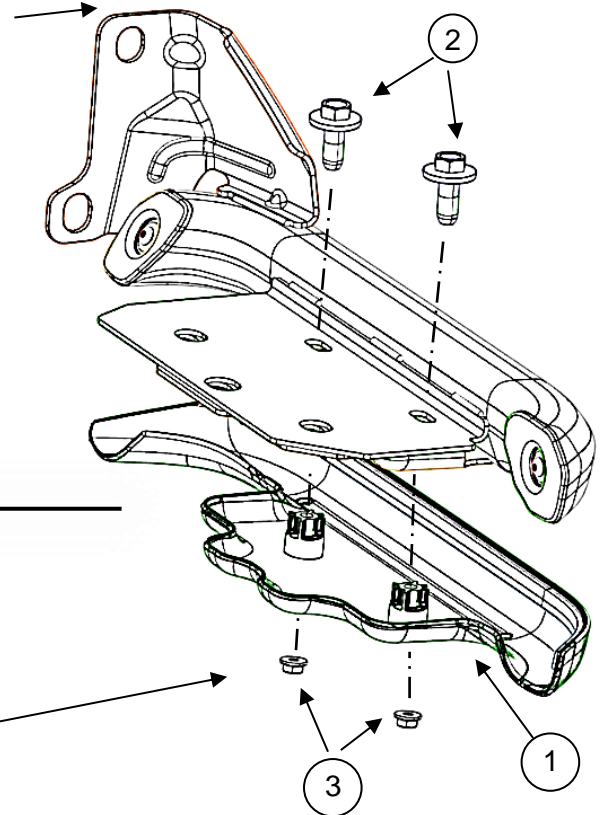
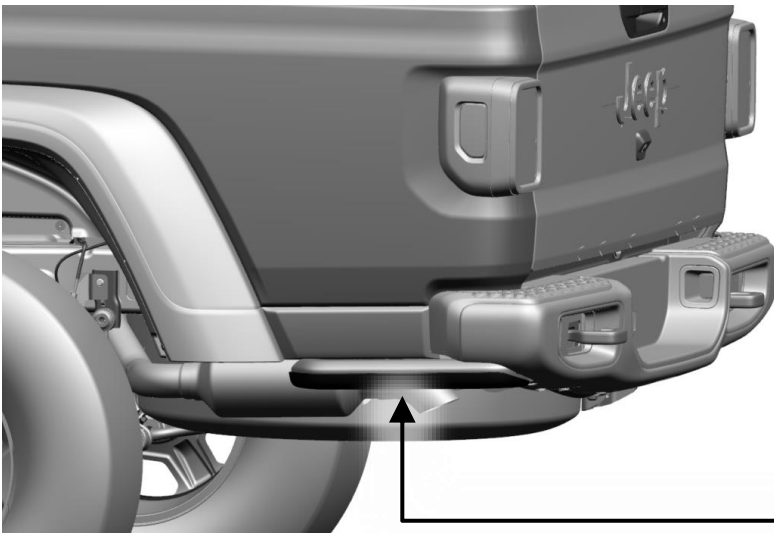
### TOOLS REQUIRED



### PARTS LIST

Callout	Description	Parts	Quantity
1	1 Pair Rock Rail Trim	Supplied in kit P/N per color	1 set
2	M6X30 Bolt	Supplied in kit 06512767AA	4
3	M6X1 Nut	Supplied in kit 06513127AA	4

### PROCEDURAL STEPS



**CAUTION:** Over tightening fasteners can lead to component damage.