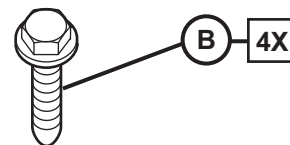
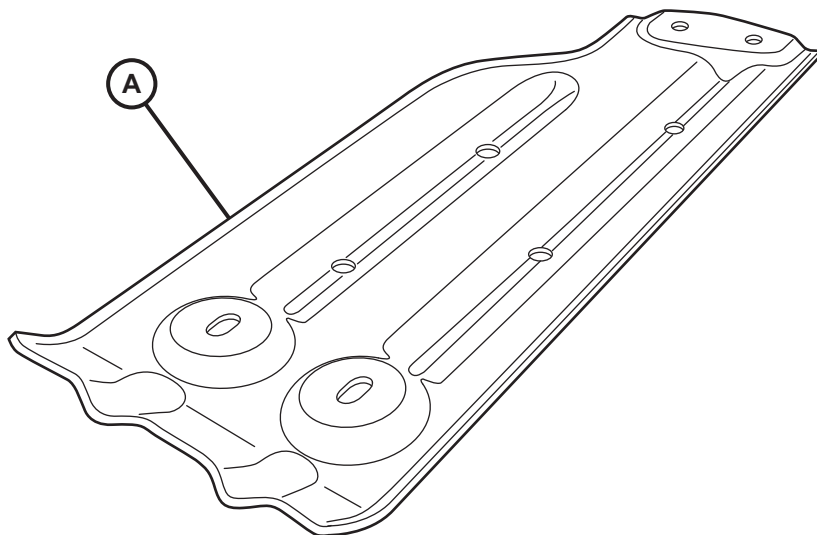




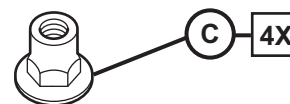
RAM POWER STEERING SKID PLATE

APPLICABLE TO VEHICLES BUILT AFTER 4/1/2014

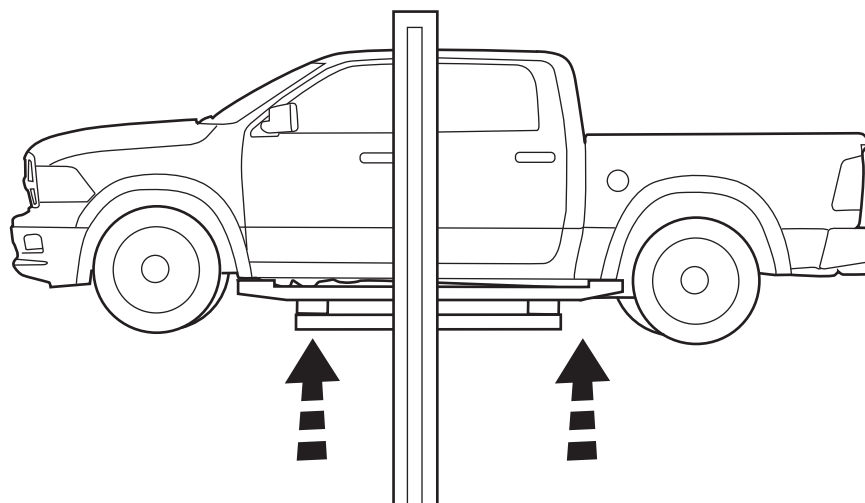
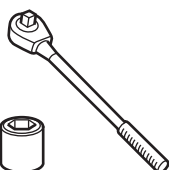
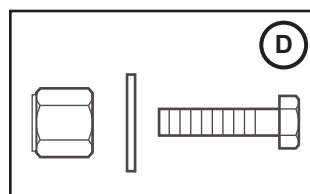
www.mopar.com



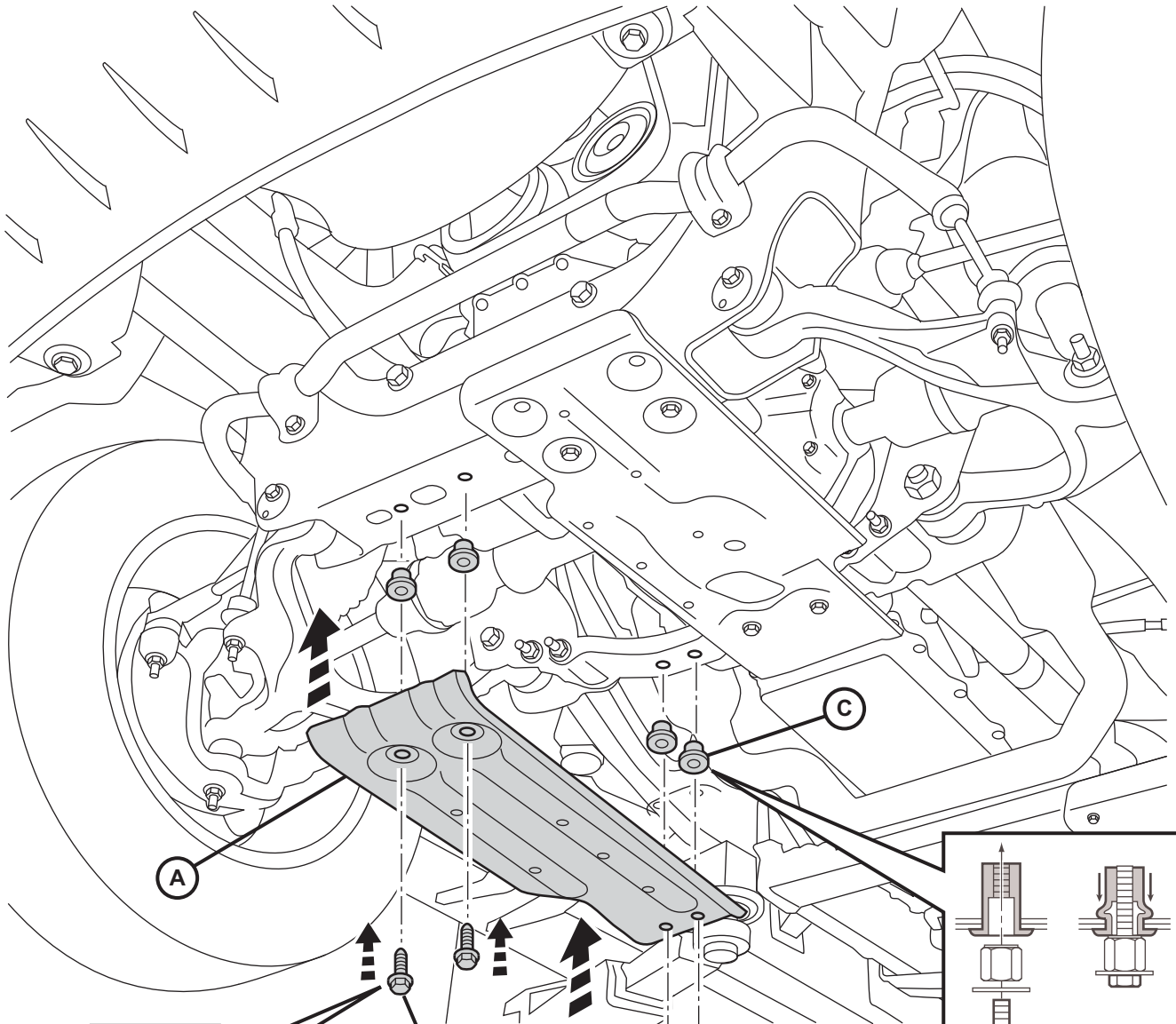
PART NO. 06509233AA
SELF-TAPPING



PART NO. 06507851AA



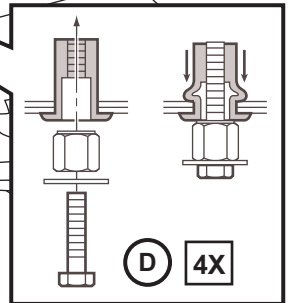
1



18 N m
(13 ft. lbs.)

PART NO. 06509233AA
SELF-TAPPING

B 4X



25 N m
or
3.5 turns (+/- .25 turns)
REF. RIVNUT TOOL
INSTRUCTION SHEET